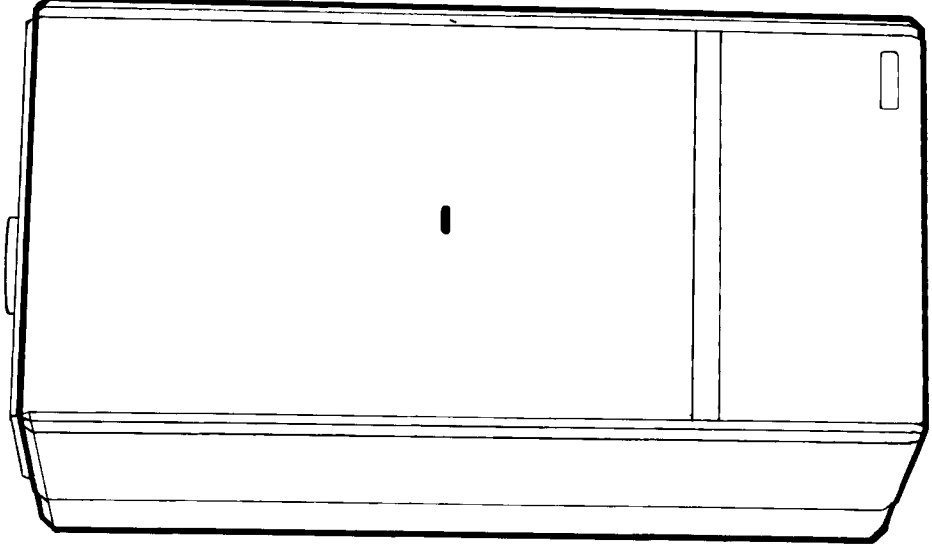


20/80 RSS Flowmatic



Users Instructions

G.C. No. 41 094 05
British Gas Tested and Certified

**HAND THESE
INSTRUCTIONS
TO THE USER.**

This Appliance is for use
with Natural Gas only

BEFORE ATTEMPTING TO LIGHT APPLIANCE PLEASE MAKE SURE THAT IT IS CHARGED UP WITH WATER WITH THE NEEDLE POINTING BETWEEN 1bar AND 1.5bar ON THE PRESSURE GAUGE (7).
Gas safety (Installation and Use) Regulations 1984.

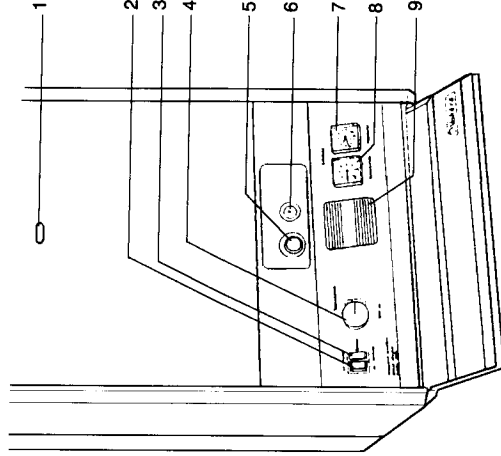
In your own interests and that of safety, it is the law that all gas appliances are installed and serviced by a competent person in accordance with the regulation.

Gas Leak or Fault.

IF A FAULT OR GAS LEAK IS SUSPECTED, TURN OFF THE APPLIANCE AND CONTACT YOUR LOCAL GAS REGION OR SERVICE ENGINEER.

INTRODUCTION

Your Vokera 20/80 RSS Flowmatic is a central heating boiler, but with the addition of a hot water cylinder can supply stored hot water.



Boiler Location

Clearances

- Min. - above (Horizontal flue) 50mm (2in) above flue.
- Min. - above (Vertical flue) 150mm (6in) above casing.
- Min. - below 300mm (12in).
- Min. - in front 600mm (24in).
- Min. - at sides 75mm (3in).

If fitted in a compartment, the purpose provided ventilation openings must not be blocked, and should be checked periodically to ensure this. The compartment should not be used as a storage cupboard (e.g. for food).

NEVER HANG CLOTHES ETC. OVER THE APPLIANCE.

- 1 Pilot Sight Glass
 - 2 On/Off Switch
 - 3 Timed/Rest/Constant Switch
 - 4 Heating Thermostat
 - 5 Gas Control Knob
 - 6 Piezo Igniter Button
 - 7 Pressure Gauge
 - 8 Temperature Gauge
 - 9 Time Clock Aperture
- The Internal Time Clock is an optional extra.

Note: Timed/Rest/Constant Switch (3). If the appliance is not fitted with a Vokera Time Clock (in position 9 on diagram) the switch must always remain in the Constant position when central heating is required.

ELECTRICITY SUPPLY

WARNING: THIS APPLIANCE MUST BE EARTHED

Connection should be made to a 240V - 50Hz supply. The appliance must be protected by a 3 amp fuse if a 13 amp (BS 1363) plug is used. If any other type of plug is used a 5 amp fuse in the circuit is necessary.

To connect a plug:

As the colour of the wires in the mains lead to this appliance may not correspond with the coloured markings identifying the terminals in your plug, proceed as follows:-

The wire which is coloured green-and-yellow must be connected to the terminal in the plug which is marked with the letter E or by the earth symbol \perp or coloured green or green-and-yellow.

The wire which is coloured blue must be connected to the terminal which is marked with the letter N or coloured black.

The wire which is coloured brown must be connected to the terminal which is marked with the letter L or coloured red.

OPERATING INSTRUCTIONS

- 1.0 LIGHTING THE PILOT**
- 1.1** Lower the controls fascia cover at base of appliance.
- 1.2** Switch on the electricity supply at the mains isolating point, but ensure that the ON/OFF switch (2) is in the OFF (O) position.
- 1.3** Select rest position on switch (3).
- 1.4** Ensure that the gas supply to the appliance is 'ON'.
- 1.5** Press the gas control knob (5) and hold it in whilst pressing the igniter button (6) until a pilot flame is seen through the viewing window (1). Continue to press the gas control knob for 20 seconds, then slowly release. The pilot should remain alight. If the pilot does not remain alight or goes out on any occasion, wait 3 minutes and repeat the procedures above.
- 1.6** Switch the ON/OFF switch (2) to 'ON' (I).
- 2.0 HEATING**
- 2.1** With the boiler ON/Off switch 'ON' and the pilot lit, turn the appliance Timed/Rest/Constant switch (3) to constant (if external controls are fitted e.g. time clock and/or room thermostat ensure they call for heat) the main burner will light.
- 2.2** Adjust the thermostat knob (4) to suit the weather; 1 is the lowest setting 9 is the highest.
- N.B.**
- (i) For the quickest heat up of the premises the highest setting is needed at first, turning down later.
- (ii) When Room Thermostats are used it may be best to leave the boiler thermostat at a high setting and set the room thermostats as required.
- 3.0 SAFETY LIMITS**
- 3.1 System pressure.**
- The water pressure gauge (7) must read between 1bar and 1.5bar when the system is cold. Leaks or radiator venting will reduce this. Call in your service engineer or installer if excessive topping up of the system to restore pressure is necessary. A built-in safety valve operates if boiler pressure exceeds 3bar whether hot or cold. If the safety valve operates (water/steam discharges to drain) switch off and call in the installer or service engineer.
- 3.2** If the appliance water temperature rises too high, a safety cut out operates to extinguish the burner and pilot flame. Relight by following section 1.0. If pilot cuts out again, the appliance must be checked by a competent person, before relighting.
- N.B.** The central heating flow and return valves have a red handle which is vertical when open and horizontal when closed. Leave in the vertical (open) position.
- 4.0 SHUTTING DOWN THE SYSTEM**
- (i) For short periods:
Turn OFF at boiler on/off switch (2)
Extinguish the pilot by turning gas knob (5) clockwise. (2)
- (ii) For longer periods also:
As (i) Turn off main electricity supply to the boiler. Turn OFF the gas service cock.
- However, if the building is vacated when there is a risk of freezing shut down the boiler as described and drain the system: Open all heating radiator valves and drain through the cocks usually provided at the lowest point of the system. To ensure draining of radiators open radiator air cocks remembering to close them when the operation is complete.
- Alternatively, install a frost stat and leave the mains electricity supply turned on.
- N.B.** Refilling a sealed system must be undertaken by a competent person following approved procedures.
- 5.0 RELIGHTING THE BOILER**
- Relight by following section 1.0 given previously, after ensuring that refilling of the sealed system has been carried out.
- IMPORTANT.** If the pilot is extinguished for any reason, always wait at least 3 minutes before attempting to relight.
- 6.0 CLEANING THE OUTER CASE**
- Use a clean damp cloth. Do not use abrasive cleaners.
- 7.0 SPARE PARTS AND SERVICING**
- Your Vokera 20/80 RSS Flowmatic should be serviced annually. Please contact your local Vokera Service Department, your local Gas Region or a competent installer.

VOKERA TIME CLOCK

OPERATION

The Vokera digital clock has the normal individual daily setting facility and a group timing feature.

Group timing allows for any single time slot of the 16 available to be repeated over one of the following three periods:-

MONDAY TO SUNDAY
MONDAY TO FRIDAY
SATURDAY AND SUNDAY

N.B. The display will not show until the clock has been connected to mains power for approximately two minutes.

USE OF THE TIMER


Setting the time

1. Press and hold  button whilst carrying out steps 2, 3 and 4.

2. Set hour of day using h+ button.

3. Set minute of day using m+ button.

4. Set day of week by repeatedly pressing button marked 'Day'.

5. Releasing  button starts time switch running.

ATTENTION! If keys h+ or m+ are kept depressed for longer than 2 seconds, a rapid advance of figures will result.

Before entering any programme draw up a chart to arrange the settings required and enter in a chronological order, as on read back the programme displays in the order of entry.

TO PROGRAMME 'SWITCHING ON' TIMES

(a) Press button marked 'CH1' once. The time of day - as set - disappears from the display.

(b) Press button marked 'Day' until the day or group of days requiring setting are displayed.

(c) Set the 'ON' time of programme required by using 'h+' and 'm+', buttons for hours and minutes. Please read the notes at the end of these instructions if you wish this switching time to be carried out on several days.

Again press button marked 'CH1', so that the command will be incorporated in the programme storage compartment.

CH1 OFF

will appear.

TO PROGRAMME 'SWITCHING OFF' TIMES

Now insert the 'OFF' time of the programme required using 'h+' and 'm+', buttons for hours and minutes.

(b) Press button marked 'Day' until the day or group of days requiring setting are displayed.

(c) In order to insert further switching times 'ON or OFF', press 'CH1' button once or several times respectively. The display shows a vacant storage space; for instance, ---
CH1 ON

will appear.

Input of 'ON/OFF' times as described above may be carried out. Eight 'ON/OFF' programmes can be set.

Press the button marked  on completion of programme settings.

NOTES:

MULTIPLE WEEK-DAY SWITCHING GROUPS

It is possible to combine switching commands within the switching time programme if they are to be executed at the same time on different days of the week. For this purpose your instrument offers the following possibilities.

Constant daily repetition:

Monday-Sunday (Mo-Su)

Week-days only:

Monday-Friday (Mo-Fr)

Week-ends only:

Saturday + Sunday (Sa-Su)

These weekday combinations can be called up with key 'Day' (for instance Mo,Tu,We,Th,Fr) during the programming operation of switching times. Thus switching time carried out for instance Monday - Friday at 13.00 hrs requires only one storage space.

Alterations are carried out by 'overwriting' of the individual command. To achieve this, follow the procedure for 'SWITCHING ON AND OFF' (Programming of switching times).

CANCELLATION OF SWITCHING COMMANDS

If keys 'h+' and 'm+' are used to overwrite a switching command in such a way that the hour and/or minute area in the display shows the symbol ---, the input is no longer effective, but it remains in the storage compartment as an inactive part.

SWITCHING CONDITION INDICATION

The actual switching condition is shown in the displays as 'ON' or 'OFF' together with the time of day

PRE-SELECTION SWITCH (Hand Symbol)

The programming key has 4 functions

Press once:

Advancement of next switching command: ON and OFF respectively

Press again:

Constant switching-on - closing contacts indication in display: FIX ON

Press again

Constant switching-off - opening contacts indication in display: FIX OFF

Press again

Return to automatic operation

SUMMER TIME / WINTER TIME CHANGEOVER

From winter time to summer time:

Depress key 1 h briefly once (Display shows symbol + 1 h)

From summer time to winter time:

Depress key 1 h briefly once (Symbol + 1 h disappears from display)

RUNNING RESERVE

In the case of mains electricity failure, the internal battery ensures that the actual time of day continues to operate and that the automatic switching programme remains intact. The instrument can be programmed completely even without mains supply, provided the back-up battery is fully charged (charging time 70 hours).



G R Claudio Vokèra Limited
Head Office and Accounts: Unit 16, Duck Lees Lane, Enfield, Middlesex EN3 7SP Tel: 081-804 7202 Fax: 081-804 8163
Northern Region: 360 Bowling Back Lane, Bradford, West Yorkshire BD4 8TS Tel: 0274 660314 Fax: 0274 660446
Scottish Region: Shuna Street, Maryhill, Glasgow G20 9NW Tel: 041-945 4944 Fax: 041-945 5136