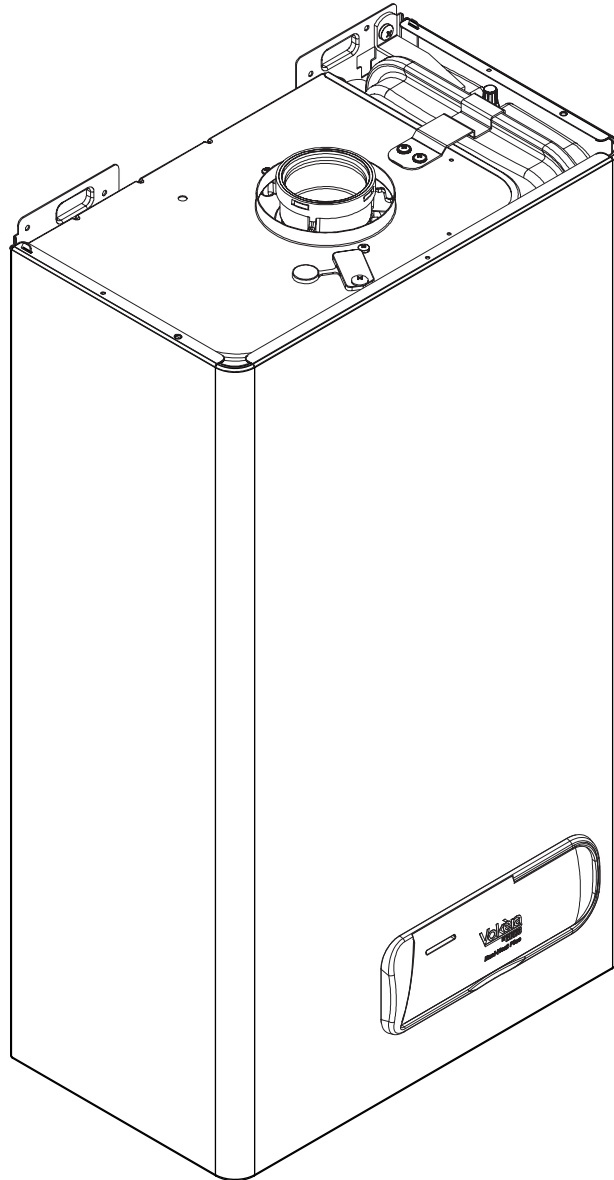
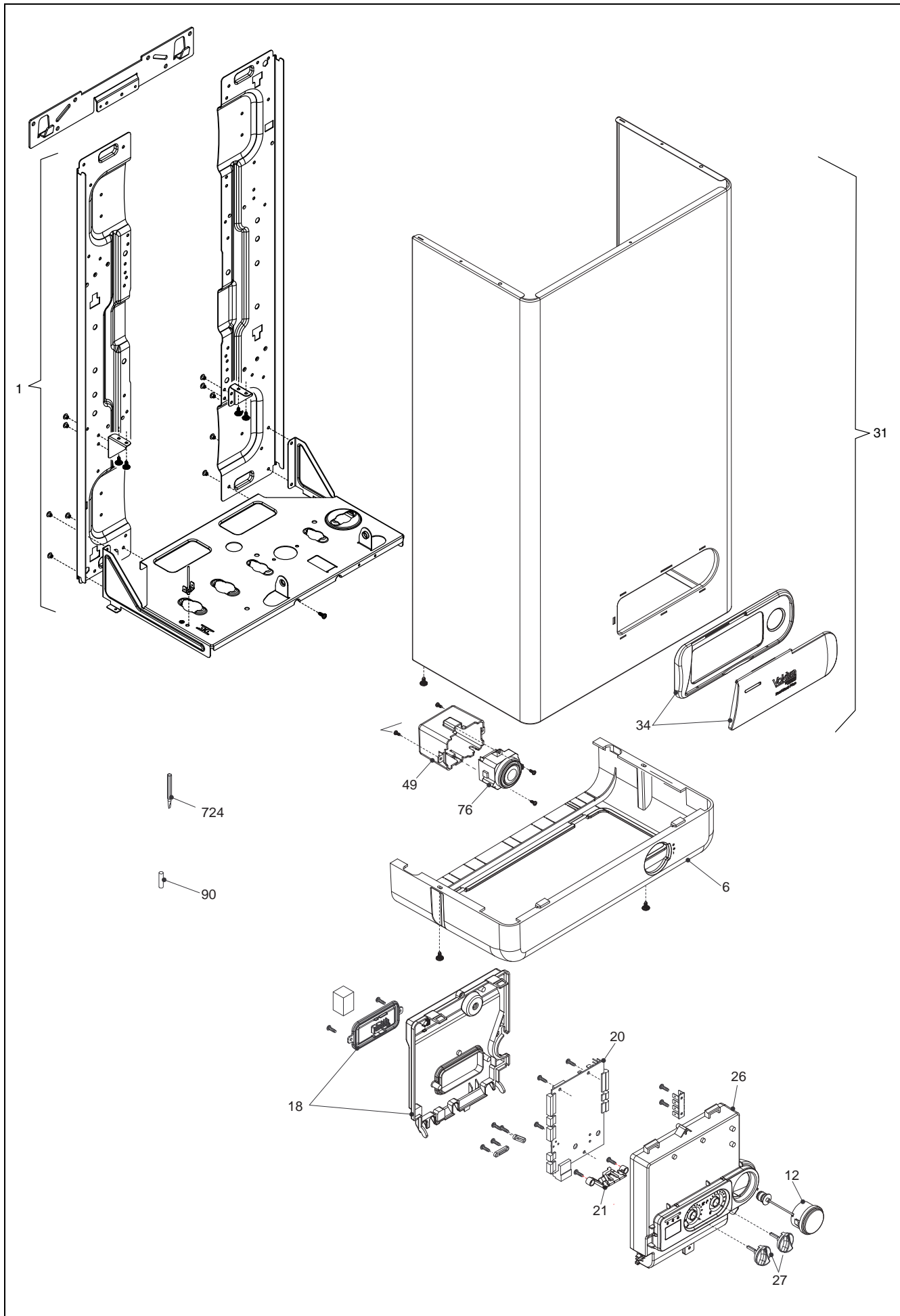


Wall hung boilers

Easi-Heat Plus

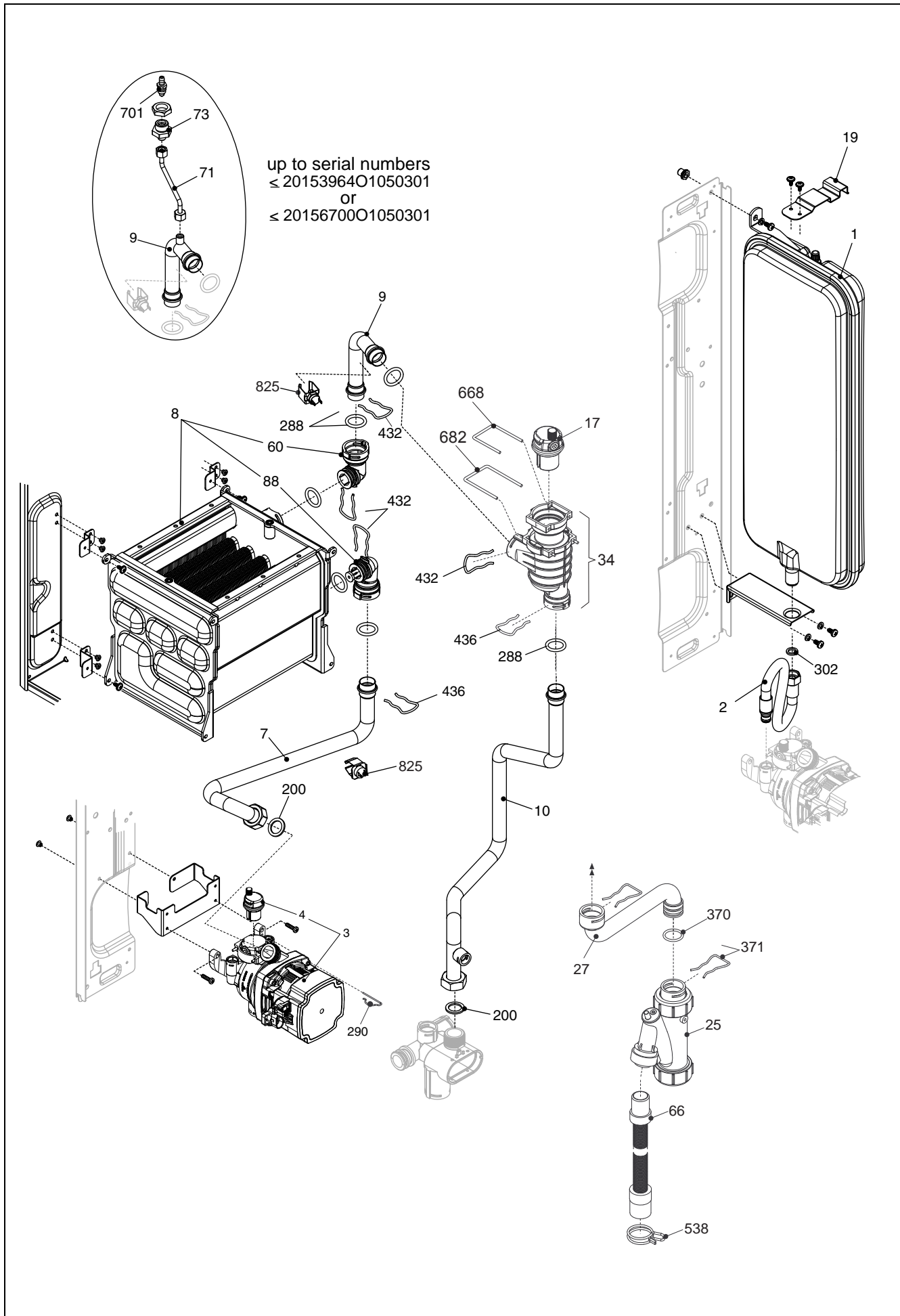


MODEL	PART NUMBER	
	MTN	GPL
Easi-Heat Plus 32C	20153964	20156700



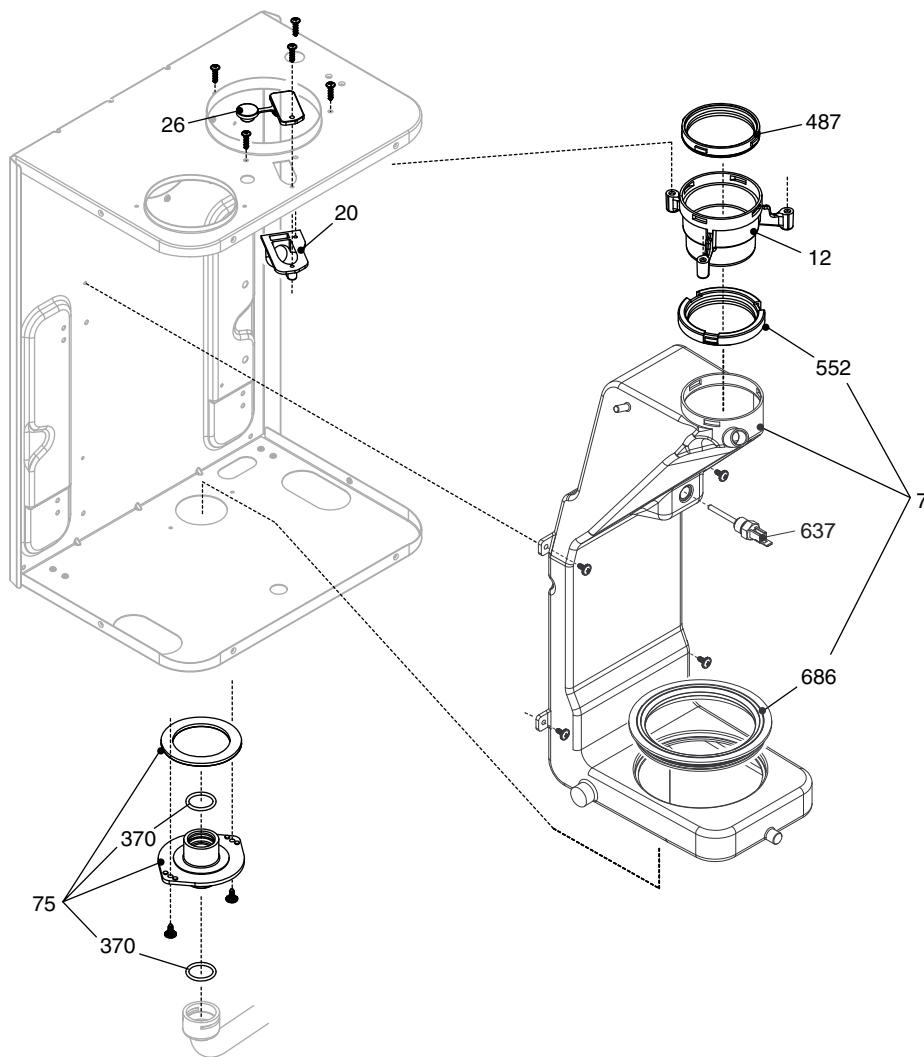
POS.	DESCRIPTION	32
2	Frame assembly	20049618
6	Service cover	20118919
12	Quick primer pressure gauge	20005580
18	Control panel cover	20026055
20	Printed circuit board	20145176
21	led light guide	20013352
26	Instrumental panel	20118920
27	Control knob	20014025
31	Case Assembly	20118922
34	Fixing flange	20118921
49	Timer cover	20118917
76	Timer	R10028496
90	Fuse	R3478
724	Calibration screwdriver	R2455

POS.	DESCRIPTION	32
1	Exchanger	20157769
2	Connection	R10030114
4	Non return valve	R10025056
6	By-pass casing	R10024641
7	High head by-pass valve	R1552
9	3-way heating manif.+cartridge	20021496
10	Cartridge	20043594
11	Actuator	20017594
13	Clip	20017598
22	Safety valve	20043820
24	Flow governor	R10026045
25	Pipe	20011423
26	Dhw actuator	20069786
27	3/4" heat water cock	R1592
28	Pipe	20025758
29	Pipe	20025756
30	Water supply stop cock	R1888
37	Pipe	R10025840
47	Cover for by-pass assembly	20133375
48	Cock	R10024646
58	Pipe	20025757
63	Pipe	20025755
200	Washer	R5023
201	Washer	R5026
288	O-ring	R6898
290	Clip	R2165
432	Clip	R10024958
433	Clip	R10024986
434	Nipple	R10024985
436	Clip	R10025062
438	O-ring	R10024988
439	Washer	R10025067
441	Clip	R10025063
442	O-ring	R10025065
443	O-ring	R10025064
444	Washer	R10025066
521	NTC sensor	R10027351
619	Pressure	20003181
824	Connection	20082414

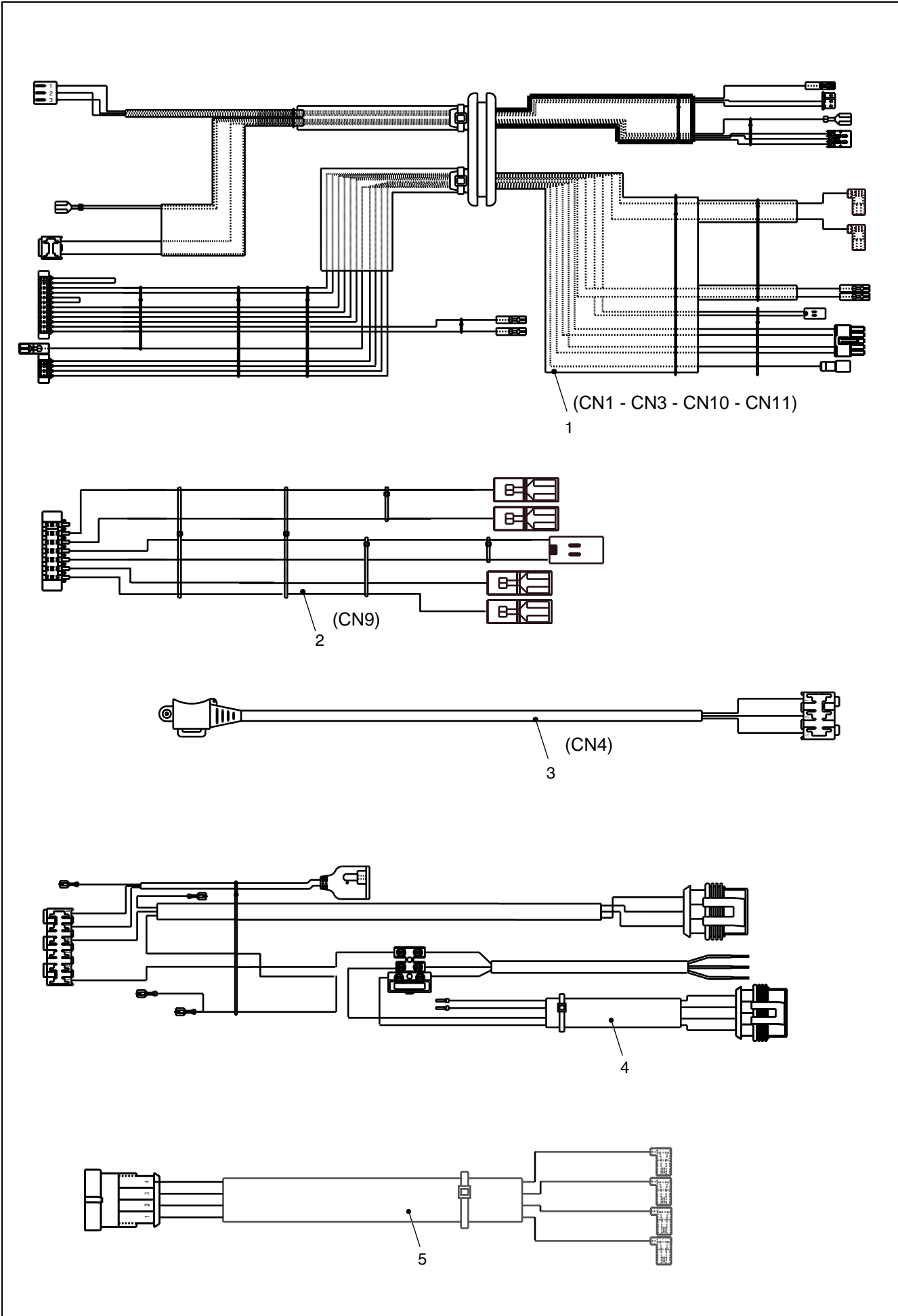


POS.	DESCRIPTION	32
1	8 lt. expansion vessel	20138101
2	Pipe	R10028603
3	6m. pump	20136316
4	Air vent bottle	R10025485
7	Pipe	20166123
8	Condensing exchanger assembly	20039924
9	Pipe (up to serial n. \leq 20153964O1050301 or 20156700O1050301)	20090680
9	Pipe (from serial n. \geq 20153964O1050302 or 20156700O1050302)	20161310
10	Pipe	20166124
17	Air vent valve	20147535
19	expansion vessel bracket	20125261
25	Condensation drainage syphon	20155759
27	Condensation outlet tube	20025743
34	Degasser kit	20032553
60	Connection	20039953
66	Flexible pipe	R10027545
71	Pipe (up to serial n. \leq 20153964O1050301 or 20156700O1050301)	20025746
73	Cock (up to serial n. \leq 20153964O1050301 or 20156700O1050301)	R10028431
88	Connection	20039954
200	Washer	R5023
288	O-ring	R6898
290	Clip	R2165
302	Washer	R5025
370	O-ring	R10023533
371	Clip	R10023532
432	Clip	R10024958
436	Clip	R10025062
538	Hose clamp	20152306
668	Clip	20019767
682	Clip	20120828
701	Vent plug (up to serial n. \leq 20153964O1050301 or 20156700O1050301)	R10023235
825	NTC Detector	20078350

POS.	DESCRIPTION	32
3	Integrated fan	20081318
4	Burner	20055216
5	Spark ignition electrode	20025737
9	Clip	20093799
12	Pipe	20025745
13	Gas valve	20039202
14	Gas pipe	20005553
15	3/4" gas cock	R2266
16	Combustion chamber cover	20005594
17	Gas valve solenoid	20040675
18	Plug	20005550
33	Electrode seal	20025740
34	Protection	20046270
40	Heat exchanger gasket (29kw)	20160020
58	Pipe	20025757
67	Burner seal (29kw)	20160019
68	Cover	20046266
77	Washer	20025753
79	Flame sensor electrode	20043523
92	Silencer	20025760
200	Washer	R5023
436	Clip	R10025062
613	Ignition transformer	20001563
625	High limit thermostat	20005585
629	Sealing gasket	20166929
680	Washer	20024869
683	Sealing gasket	20166930
999	Ng conversion kit	20113104
999	Lpg conversion kit	20113110



POS.	DESCRIPTION	32
7	Conveyor	20026060
12	Flue drain connection	R10028421
20	Outlet nut	20026049
26	Plug	20026058
75	Flue clector	20026056
370	O-ring	R10023533
487	Washer Ø 60	R10026345
552	Washer Ø 60	R10028426
637	Flue sensor	20007050
686	Washer	20026059



POS.	DESCRIPTION	32
1	Combustion cable	20025736
2	Low tension cable	20113021
3	Hydraulic control cable	20017596
4	Power wiring harness	20101723
5	Timer cable	20118918

Rev.	data	Descrizione
1.0	25/09/2018	Aggiunta molletta fissaggio tubo tavola 3 posizione 538 E00120180510 : traversa sostegno caldaia – E00120180460 : sifone condensa Aggiunto codice versione gpl – Corretto codice scambiatore sanitario
2.0	31/01/2019	E00120180694 : guarnizioni bruciatore e coperchio scambiatore E00120180853 : sfiato aria manuale , cassa aria (con gestione matricola)
3.0	28/02/2019	Corretto numero matricola rif. E00120180853 (errata comunicazione da produttive)
4.0	28/03/2019	Aggiunte trasformazioni gas: MTN - GPL
5.0	18/06/2019	aggiunte guarnizioni tav.4 pos. 629 - 683 – E00120190230: rampe rame tav.3 pos. 7 - 10 adeguato disegno valvola sicurezza tav. 2 pos. 22 E00120190224 : standardizzazione flussostato



Vokera reserve the right to change the specifications without prior notice.
Consumers' statutory rights are not affected.