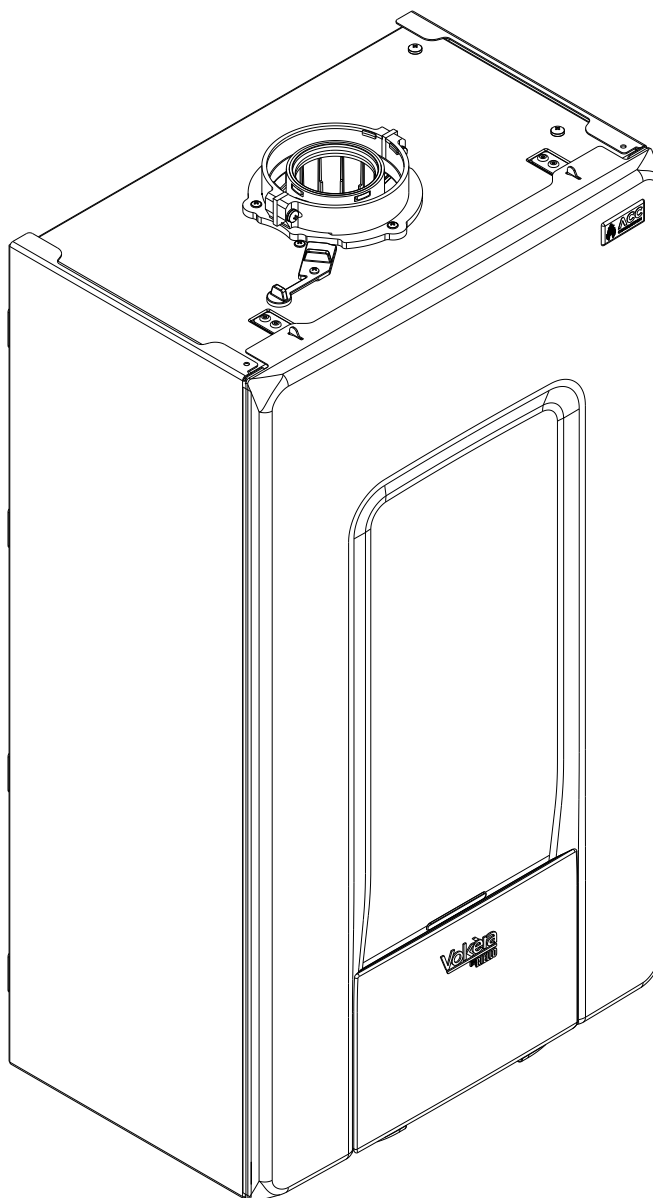
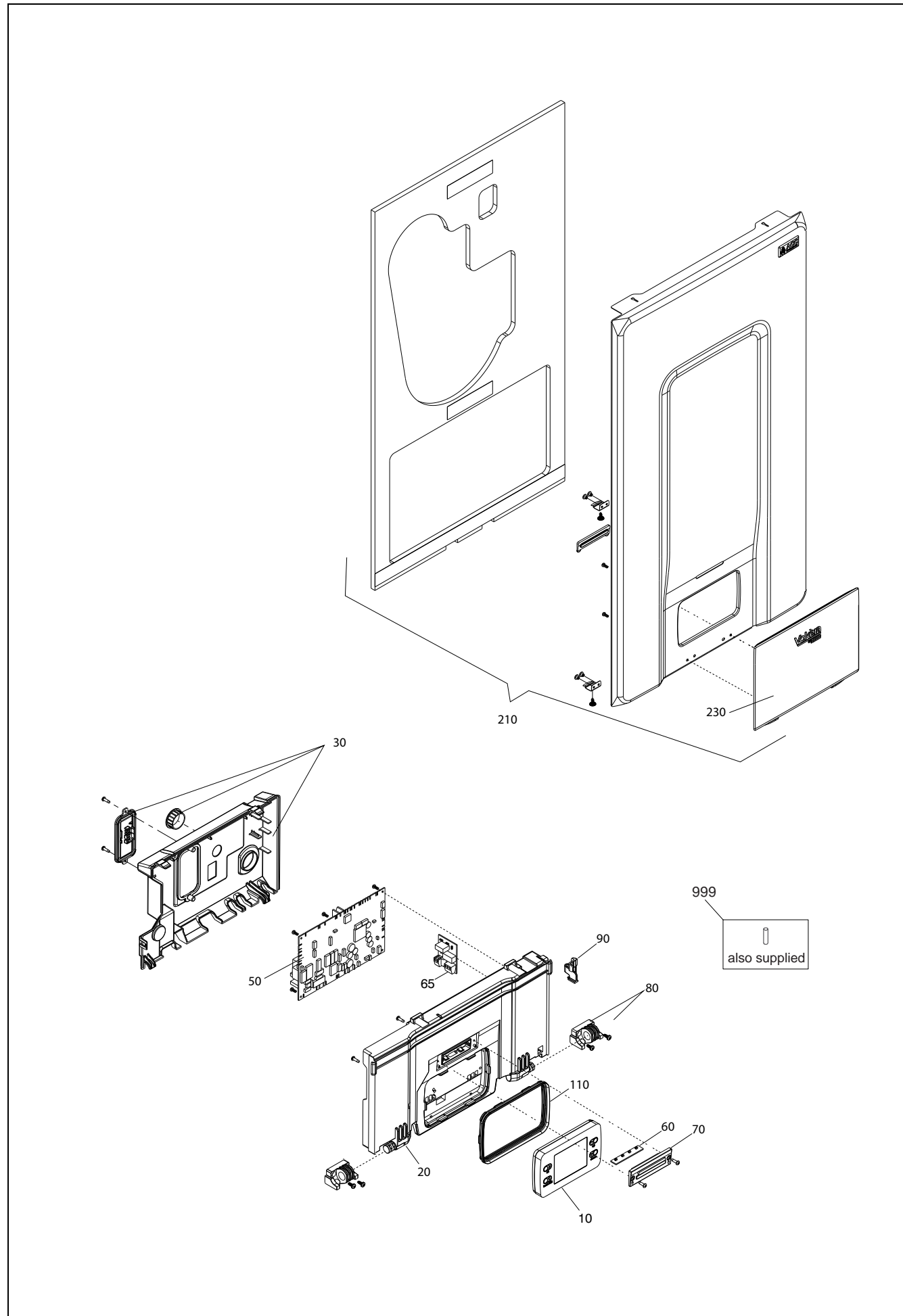


Wall hung boilers

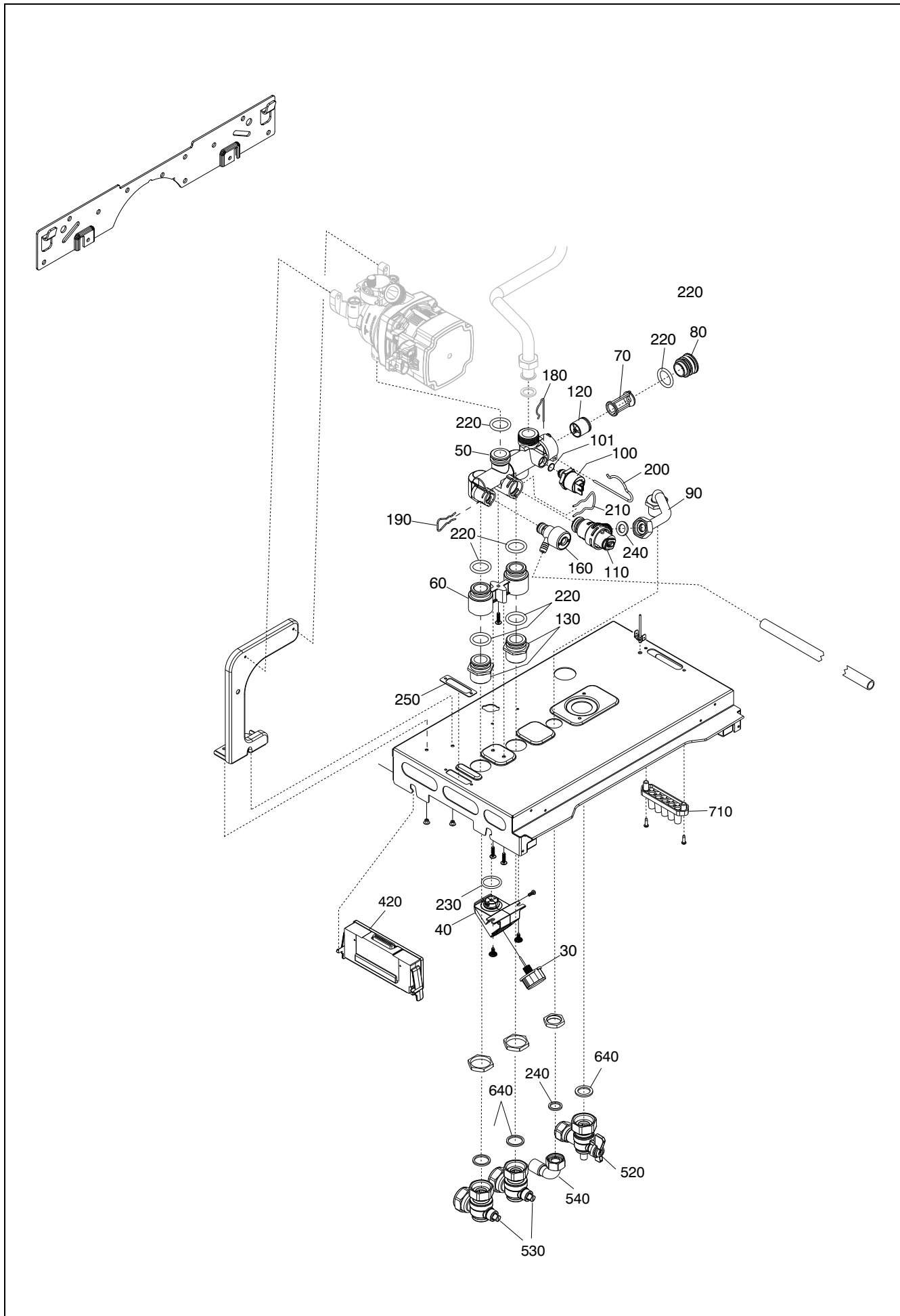
evolve



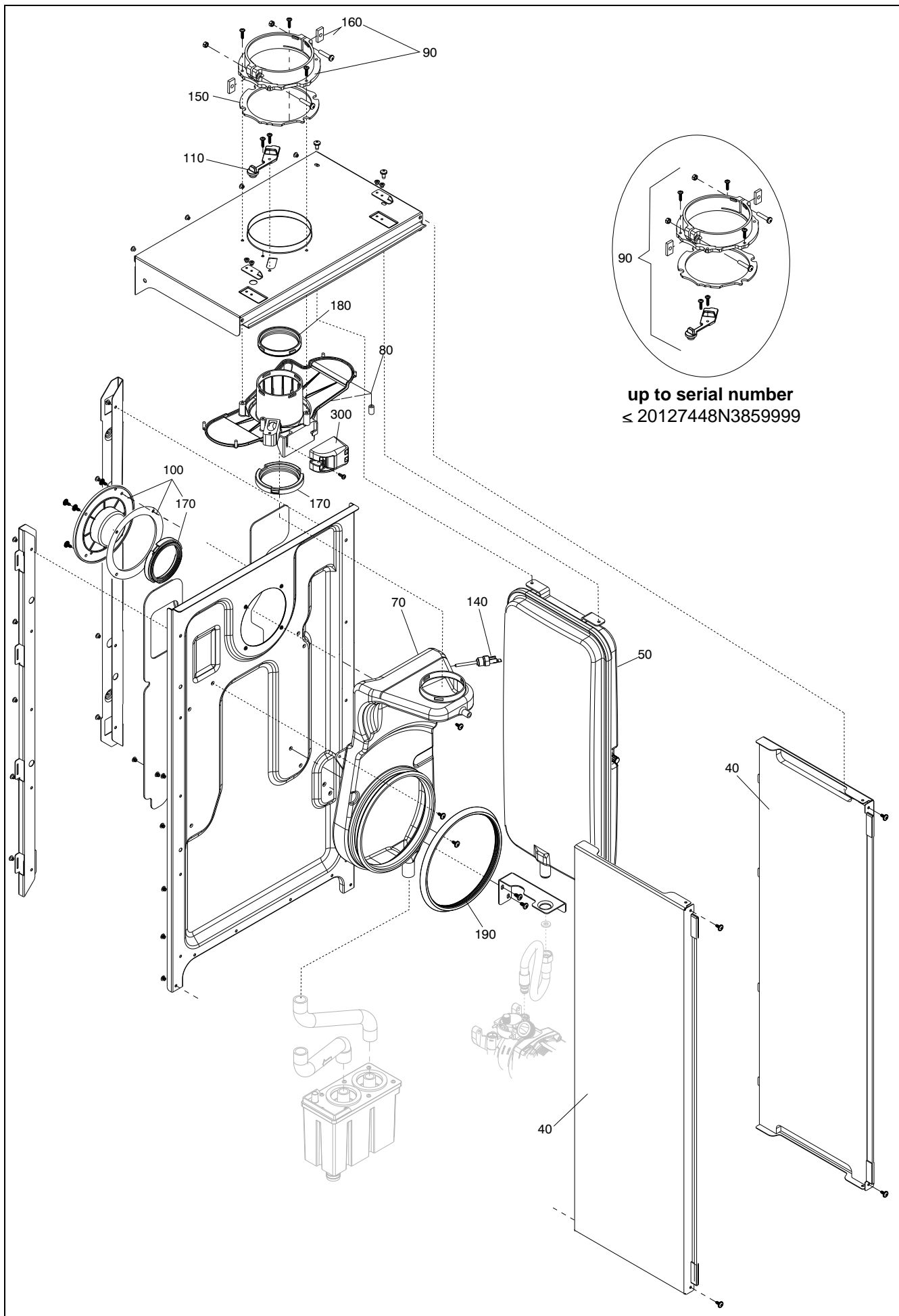
MODEL	PART NUMBER	
	MTN	GPL
evolve 24S	20127448	-



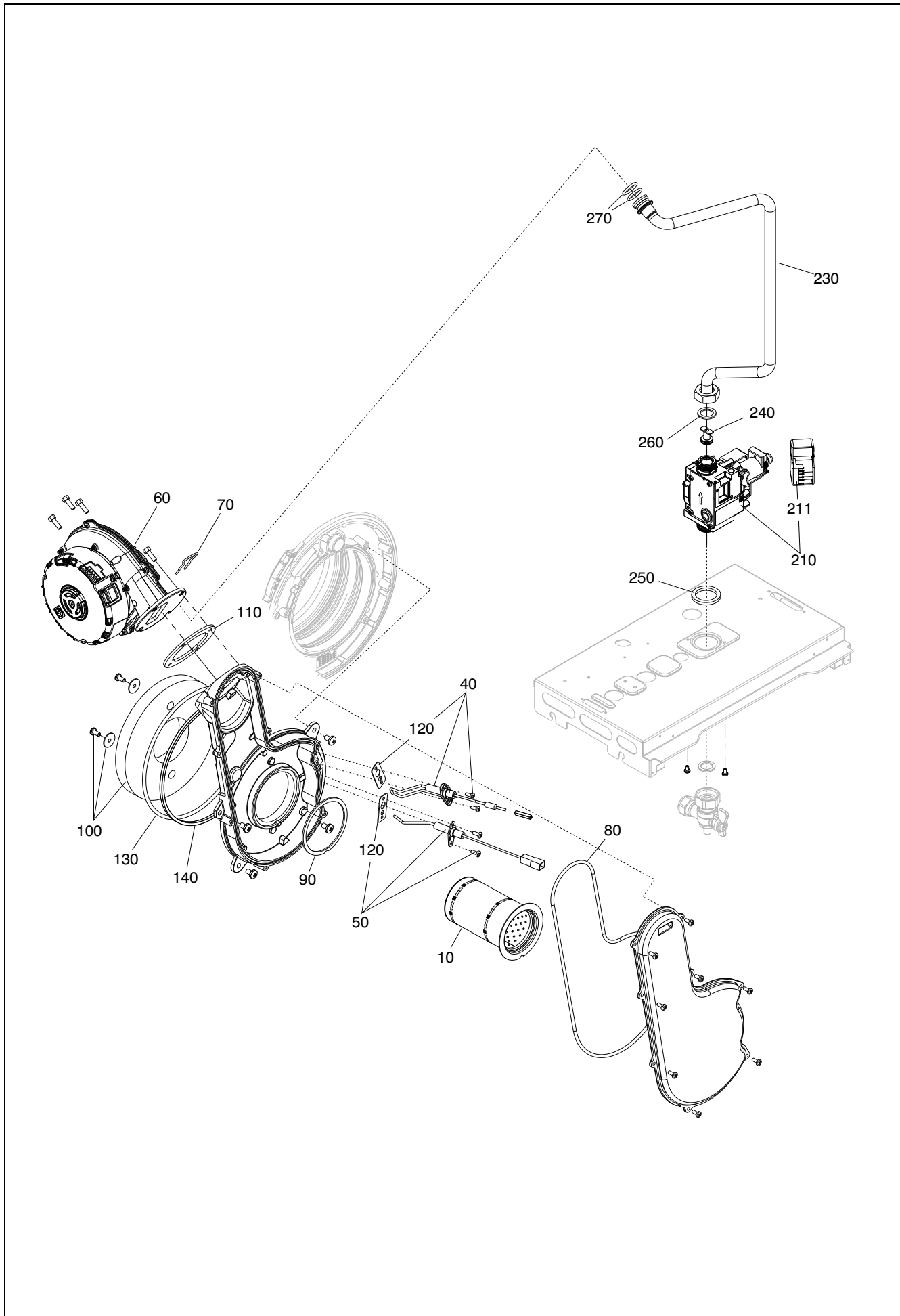
POS.	DESCRIPTION	24s
10	Remote control	20151684
20	Instrumental panel	20194432
30	Back control cover	20154418
50	Printed circuit board	20123226
60	Led pc board	20123243
65	Printed circuit board	20076436
70	led protection glass	20123237
80	Rolling hinge	20123231
90	Instrumental panel fastener	20123230
110	Shaped gasket	20123240
210	Front panel	20123262
230	Door panel	20132280
999	Fuse	R3478



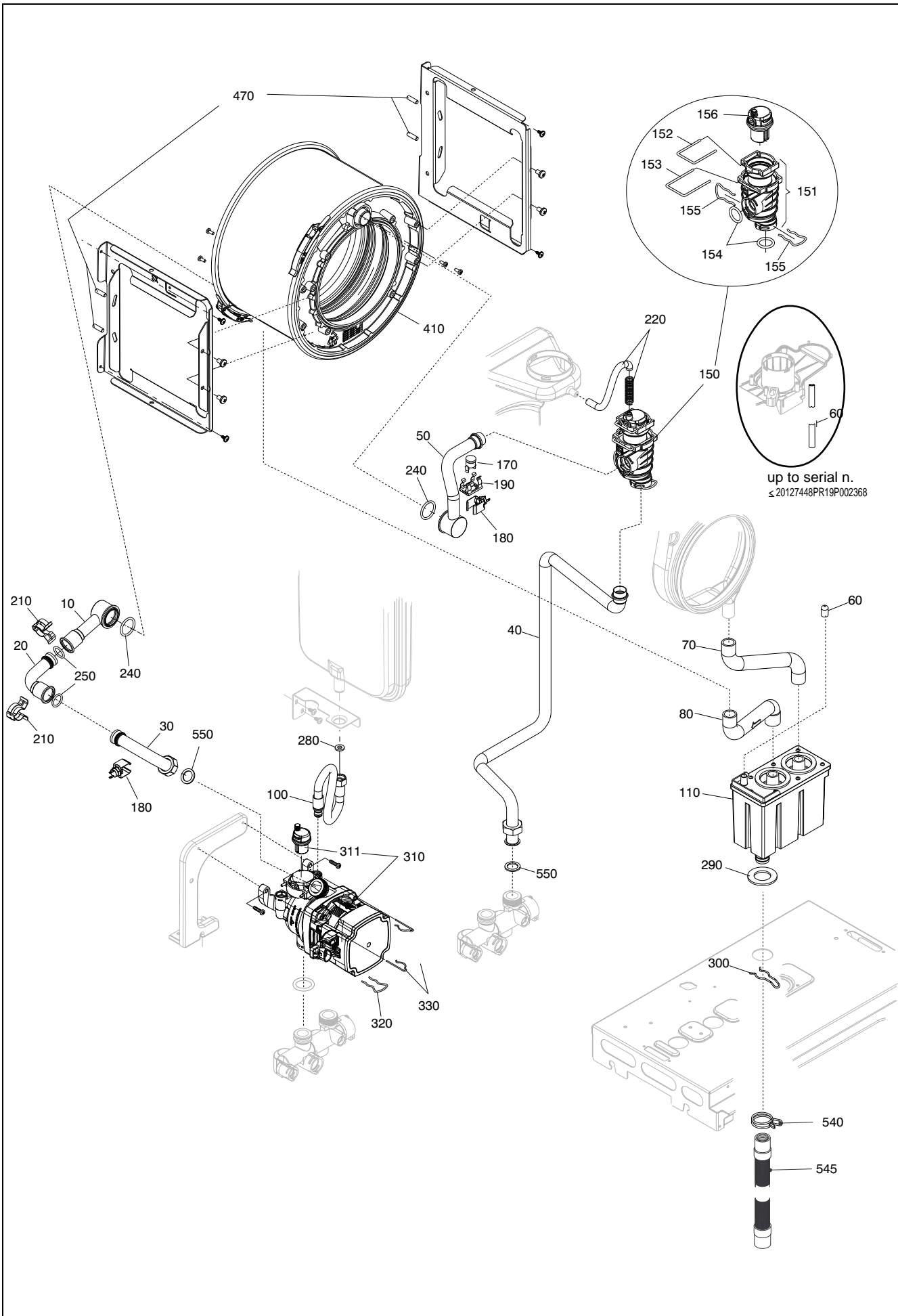
POS.	DESCRIPTION	24s
30	Quick primer pressure gauge	20049617
40	Water gauge carrier	20123121
50	Heating distrib.	20005568
60	Hydraulic connection	20130718
70	by-pass valve support	20068965
80	Automatic by-pass plug	R10024645
90	Pipe	20130719
100	Pressure transducer	20024559
101	O ring	R10026494
110	Safety valve	20043820
120	High head by-pass valve	R1552
130	Connection	20014074
160	Cock	20000533
180	Clip	R2165
190	Clip	20000539
200	Clip	R2223
210	Clip	R10025062
220	O ring	R6898
230	O ring	R10023533
240	Washer	R5026
250	Gasket	20123123
420	External utilities box	20123127
520	Heating cock (up to serial n.<20127448M4250108)	20132650
520	Gas tap (from serial n.>20127448M4250109)	20141319
530	Heat water cock	20132653
540	Angle pipe	20132654
640	Washer	R5023
710	Five positions fairlead	20123125



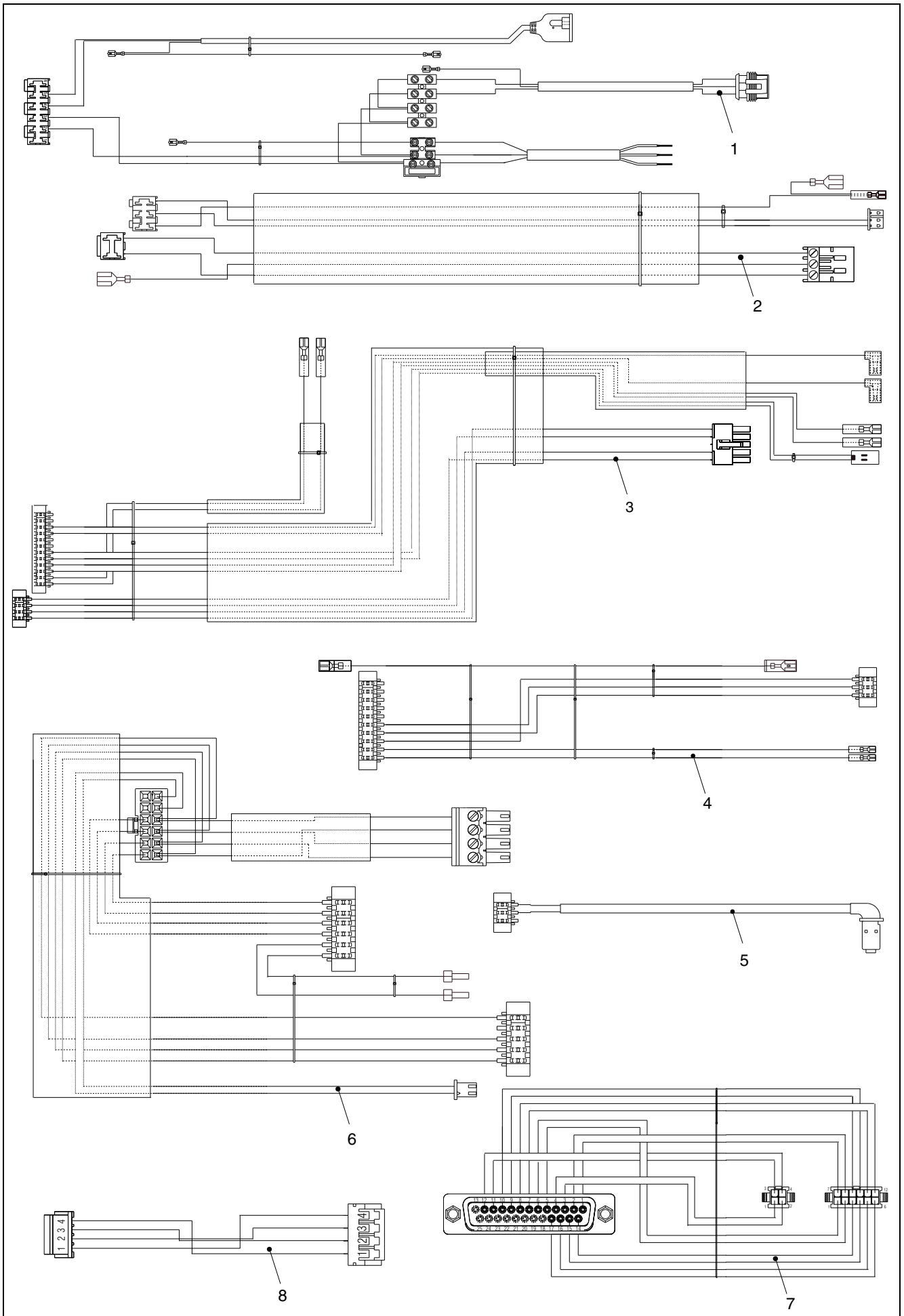
POS.	DESCRIPTION	24s
40	Side panel	20127580
50	8 lt. expansion tank	20123090
70	Conveyor	20123091
80	Fumes connection (up to serial n.≤2012748PR19P002368)	20180037
80	Flue connection (from serial n.≥20127448PR19P002369)	20184816
90	Fumes flange kit (up to serial n.≤20127448N3859999)	20157135
90	Fumes flange (from serial n.≥20127448N3950001)	20157132
100	Drain plug	20000118
110	Cap smoke analysis	20157134
140	Flue sensor	20007050
150	Flange gasket (up to serial n.≤20127448N3859999)	20123096
150	Flange gasket (from serial n.≥20127448N3950001)	20157133
160	Flange gasket	20123098
170	Washer Ø 60	R10028426
180	Washer Ø 60	R10026345
190	Washer Ø 160	20057889
300	Ignition transformer	20001563



POS.	DESCRIPTION	24s
10	Premix burner	20123167
40	Spark electrode	20123610
50	Sensing electrode	20123611
60	Fan with integrated mixer	20124073
70	Clip	R10025062
80	Gasket	20123153
90	Burner seal	20123154
100	Burner insulatin panel	20123157
110	Washer	R10026796
120	Electrode seal	20157555
130	Washer	20057878
140	Washer	20057872
210	Antisticking gas valve	20123161
211	Gas valve solenoid	20040675
230	Pipe	20130721
240	4.3Ø diaphragm	20152415
250	Gasket	20123159
260	Washer	R5023
270	Washer	20024869



POS.	DESCRIPTION	24s
10	Pipe	20123195
20	Pipe	20123196
30	Pipe	20123194
40	Pipe	20130720
50	Pipe	20123186
60	Pipe (up to serial n.≤2012748PR19P002368)	R10028481
60	Plug (from serial n.≥20127448PR19P002369)	20081059
70	Condensation outlet tube	20132108
80	Condensation outlet tube	20132109
100	Pipe	R10028603
110	Condensate reservoir	R10028405
150	Degasser valve assembly	20123449
151	Degasser kit	20032553
152	Clip	20120828
153	Clip	20019767
154	O-ring	R6898
155	Clip	R10024958
156	Air vent valve	20147535
170	High limit thermostat	20005585
180	NTC Detector	20078350
190	Clip	R5472
210	Clip	20024086
220	Degasser-conveyor connection	20123119
240	O ring	R10026324
250	O ring	20000131
280	Washer	R5025
290	Washer	R10027193
300	Clip	R2588
310	6m. pump	20136316
311	Air vent bottle	R10025485
320	Clip	R10025062
330	Clip	R2165
410	9.5 condensing exchanger	20123398
470	Hexagonal socket	20137452
540	Hose clamp	20152306
545	Condensation outlet tube	20100816
550	Washer	R5023



POS.	DESCRIPTION	24s
1	Power wiring harness	20132111
2	Ignition cable	20132114
3	Combustion cable	20154616
4	Low tension cable	20130428
5	Pump cable (PWM)	20132112
6	Wiring harness	20135598
7	D-SUB 25 way connection wiring	20163798
8	Wiring harness	20124832

Rev.	data	Descrizione
1.0	30/10/2017	E00120170542 : idrometro capillare rame – E00120170341 : valvola sfogo aria aggiunte viti esagonali fissaggio scambiatore a staffe – razionalizzazione circolatori E00120170440 : rubinetto gas e tubo flessibile (con gestione matricola)
2.0	26/01/2018	Corretto numero matricola (riferimento codice caldaia)
3.0	23/05/2018	E00120180111 : valvola sfogo aria – E00120170713 : controllo remoto aggiunto codice fascetta stringitubo – E00120180047 : profilo di tenuta aggiunto codice diaframma valvola gas
4.0	15/10/2018	aggiunta guarnizione elettrodo tavola 4 pos.120 – E00120180553 : cablaggio combustione E00120180135 : copertura parti elettriche ,cruscotto E00120180453 : flangia fumi, guarnizione, tappo presa analisi (con gestione matricola)
5.0	15/03/2019	adeguato disegno valvola sicurezza tav. 2 pos. 110 E00120180854 : cablaggio connessioni D-SUB 25 vie
6.0	21/10/2020	E00120200102: sostituzione scarico fumi
7.0	25/10/2021	E00120210353: cruscotto



Vokera reserve the right to change the specifications without prior notice.
Consumers' statutory rights are not affected.