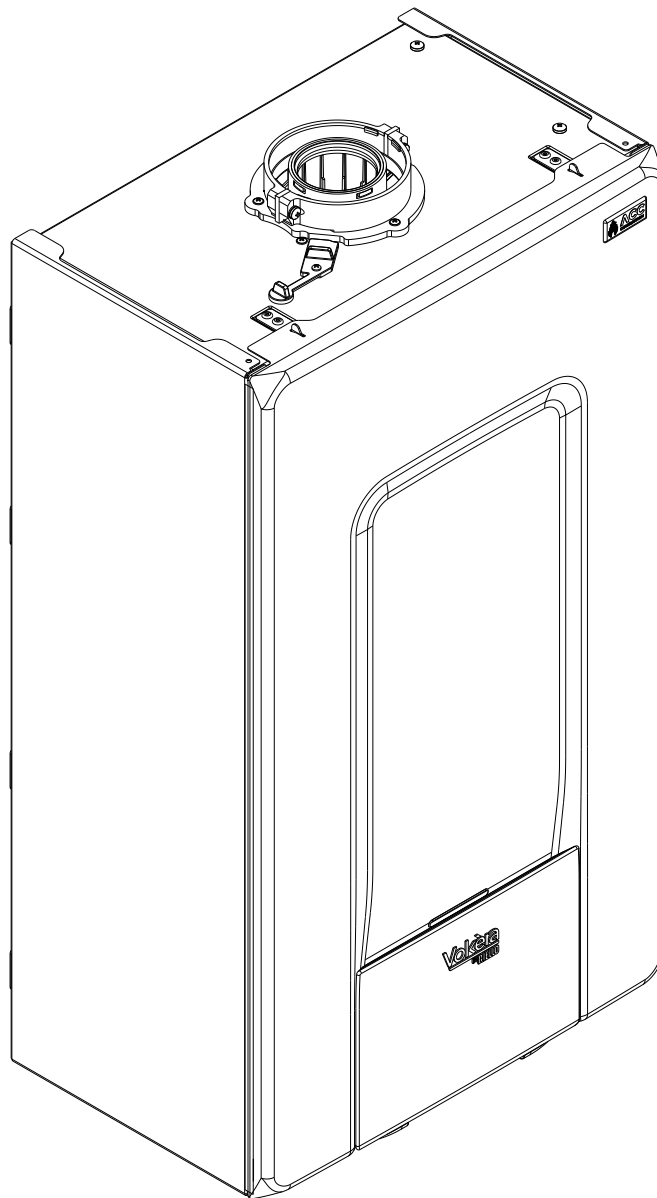
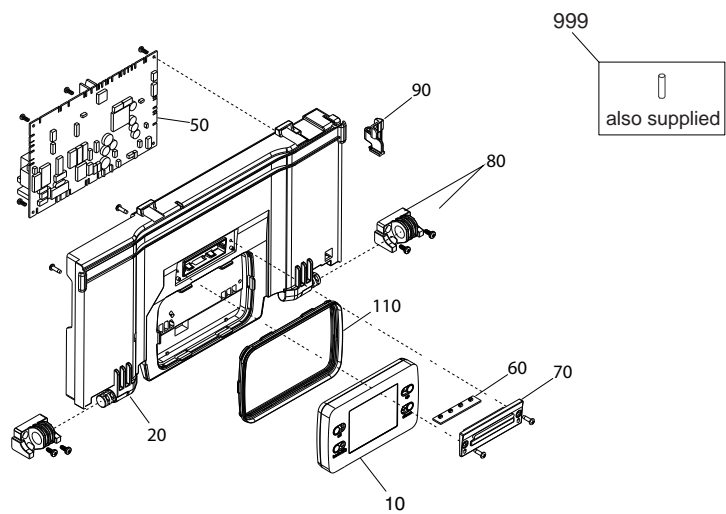
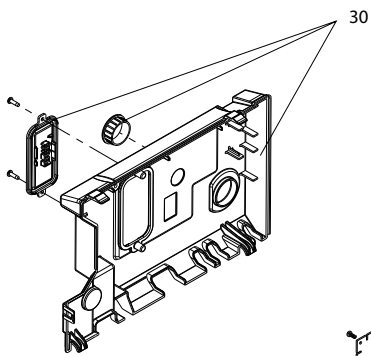
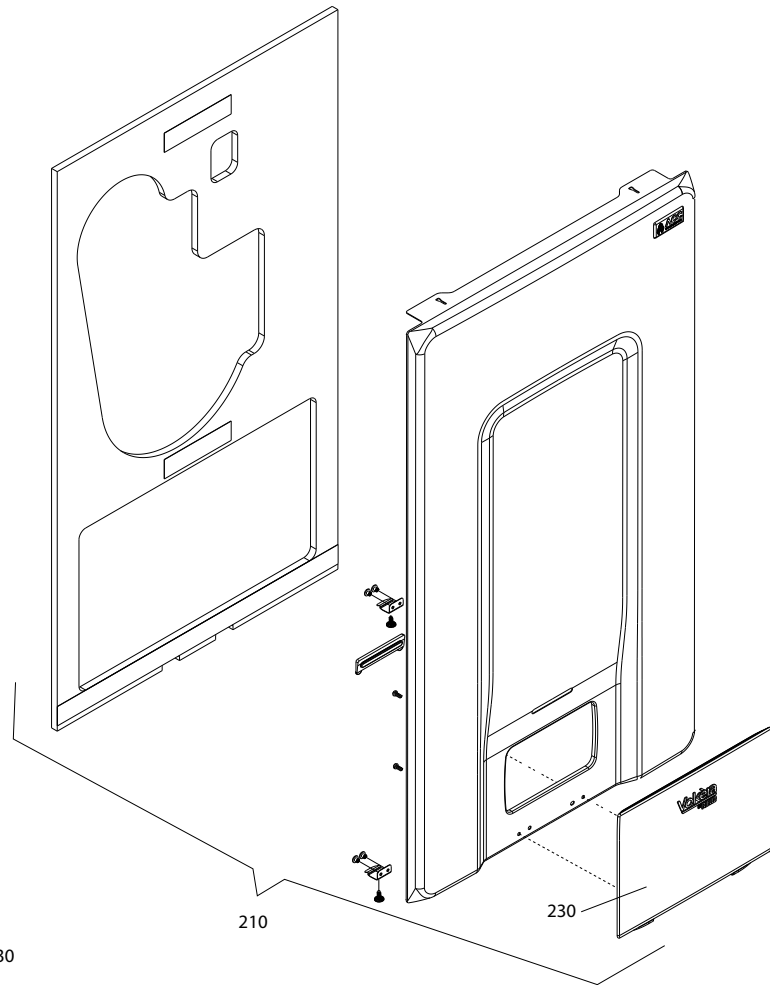


Wall hung boilers

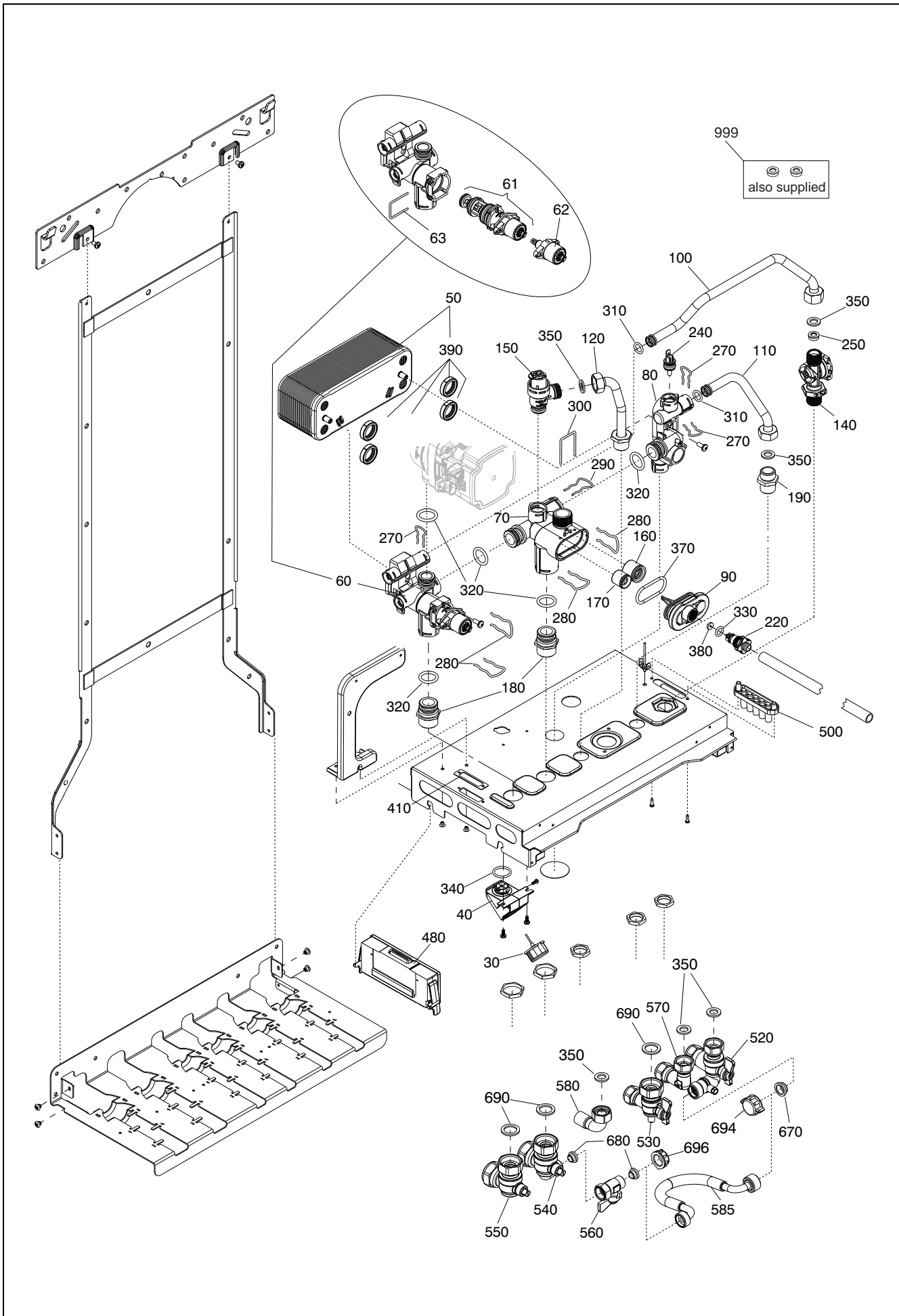
evolve



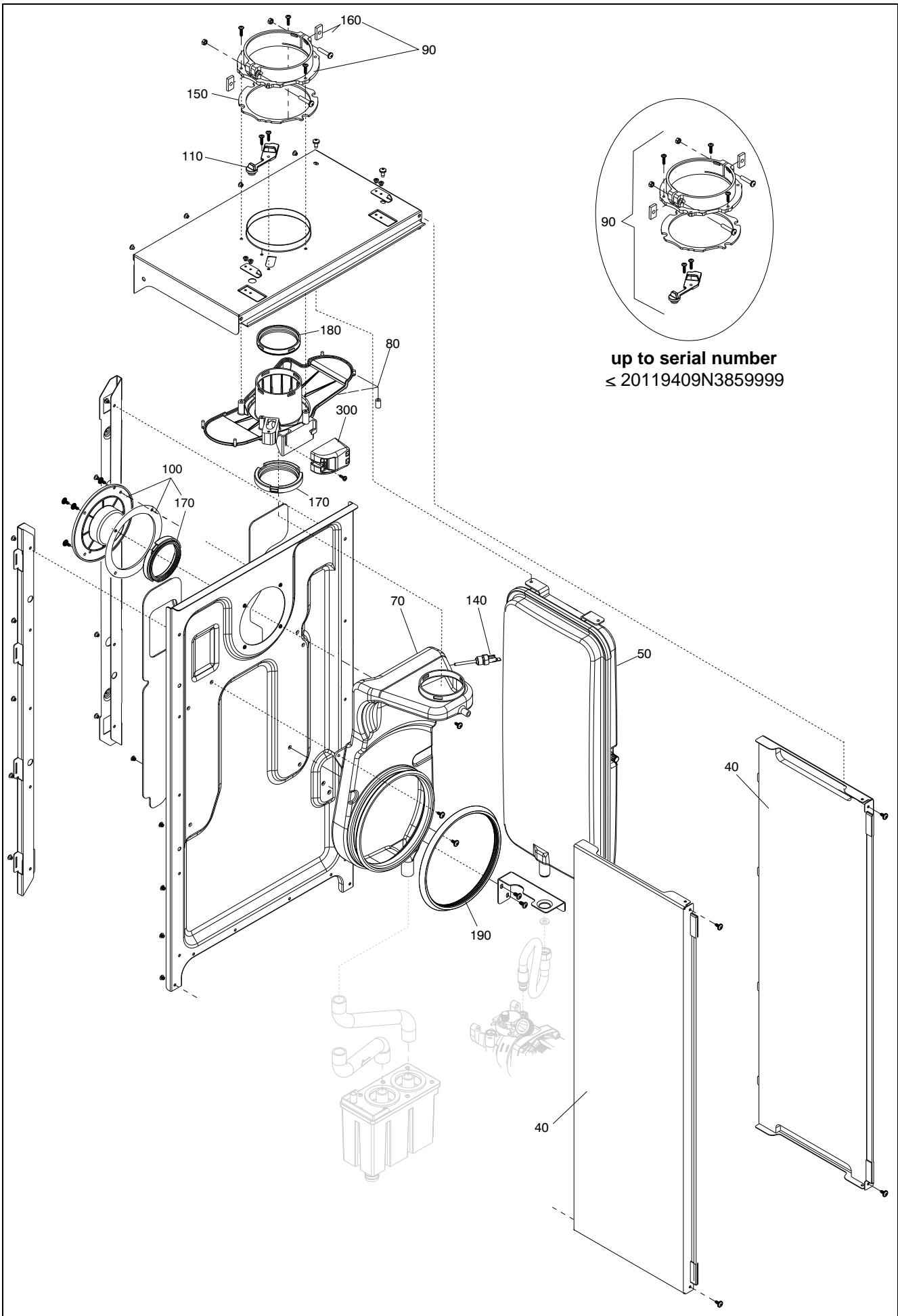
MODEL	PART NUMBER	
	MTN	GPL
evolve 28C	20119409	



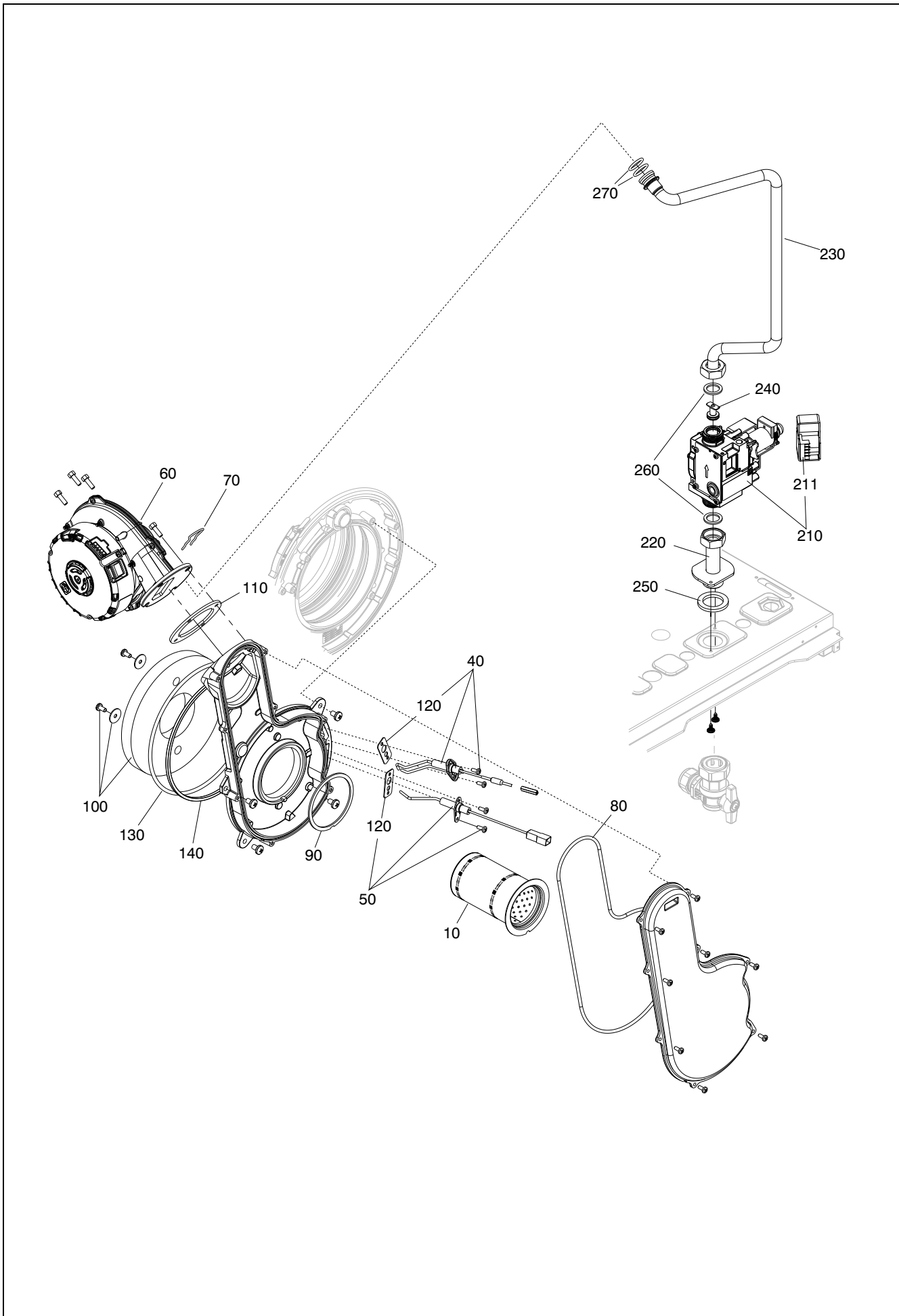
POS.	DESCRIPTION	28c
10	Remote control	20151684
20	Instrumental panel	20194432
30	Electric parts cover	20154281
50	Printed circuit board	20123226
60	Led pc board	20123243
70	led protection glass	20123237
80	Rolling hinge	20123231
90	Instrumental panel fastener	20123230
110	Shaped gasket	20123240
210	Front panel	20123262
230	Door panel	20132280
999	Fuse	R3478



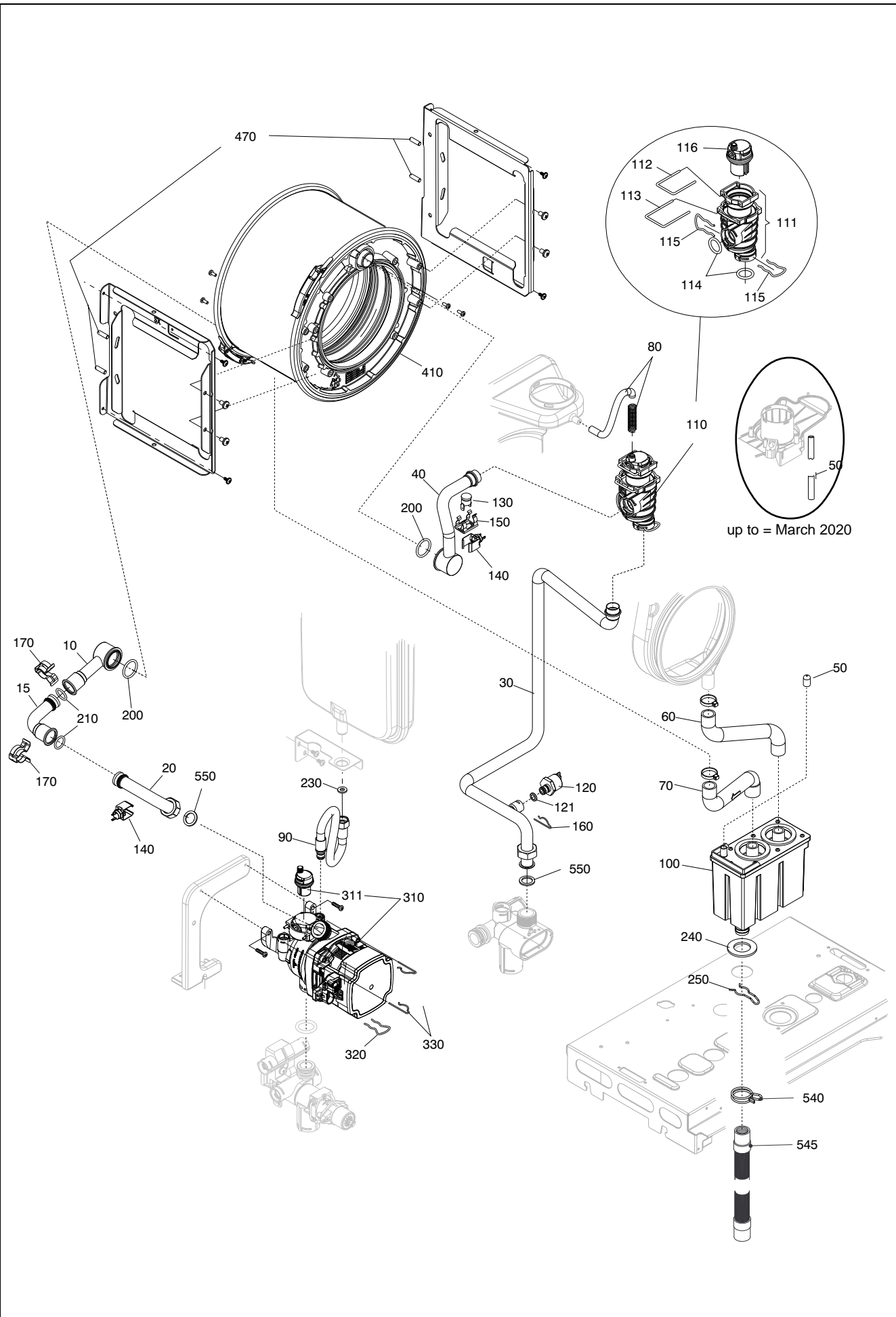
POS.	DESCRIPTION	28c
30	Quick primer pressure gauge	20049617
40	Water gauge carrier	20123121
50	Heat exchanger	20132277
60	Three way valve	20123980
61	Stepper actuator	20123996
62	Stepper actuator and cartridge	20123997
63	Clip	20123995
70	By-pass casing	R10024641
80	Connection	R10024640
90	Cover for by-pass assembly	20133375
100	Pipe	20011423
110	Pipe	R10025840
120	Pipe	20123120
140	Dhw actuator	20013968
150	Safety valve	20043820
160	Non return valve	R10025056
170	High head by-pass valve	R1552
180	Fitting/union	R10025059
190	Nipple	R10024985
220	Cock	R10024646
240	NTC sensor	R10027351
250	Flow governor	R10024987
270	Clip	R10024986
280	Clip	R10024958
290	Clip	R10025062
300	Clip	R10025063
310	O-ring	R10024988
320	O-ring	R6898
330	O-ring	R10025064
340	O-ring	R10023533
350	Washer	R5026
370	O-ring	R10025065
380	Washer	R10025066
390	Washer	R10025067
410	Gasket	20123123
480	External utilities box	20123127
500	Five positions fairlead	20123125
520	Cock	20132651
530	Heating cock (up to serial n.≤20119409M4251080)	20132650
530	Gas tap (from serial n.≥20119409M4251081)	20141319
540	Heat water cock	20132652
550	Heat water cock	20132653
560	Filling cock	20132655
570	Angle pipe	20132654
580	Safety valve pipe	20132656
585	Filling pipe (up to serial n.≤20119409M4251080)	20132851
585	Flexible pipe (from serial n.≥20119409M4251081)	20141318
670	Washer	20133198
680	Washer	20133197
690	Washer	R5023
692	Washer	R5026
694	Cap nut	20133199
696	Cap nut	20133200
999	Flow governor	R10026044
999	Flow governor	R10026045



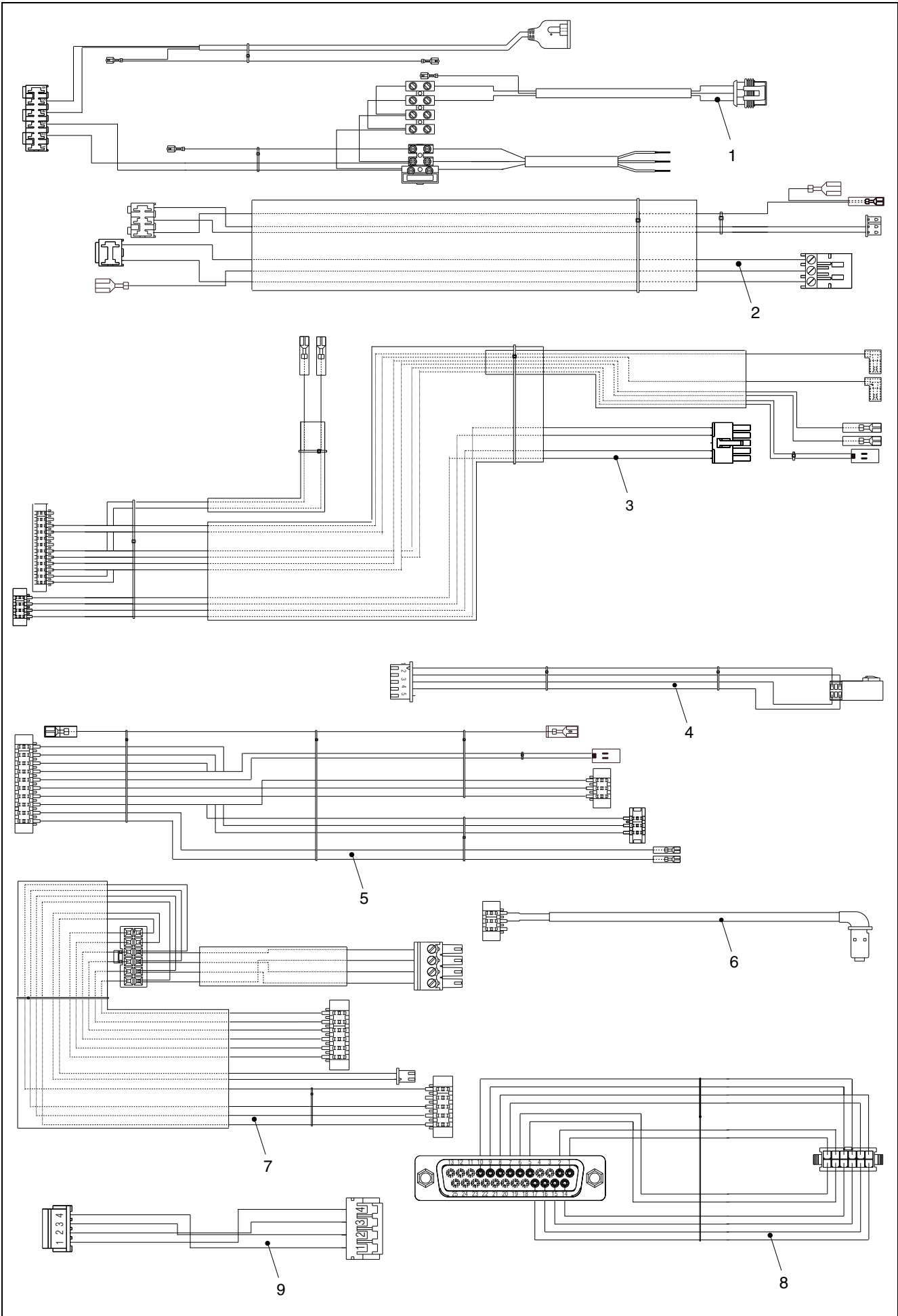
POS.	DESCRIPTION	28c
40	Side panel	20123094
50	8 lt. expansion tank	20123090
70	Conveyor	20123091
80	Fumes connection (up to \leq March 2020)	20180037
80	Flue connection (from \geq March 2020)	20184816
90	Fumes flange kit (up to serial n. \leq 20119409N3859999)	20157135
90	Fumes flange (from serial n. \geq 20119409N3950001)	20157132
100	Drain plug	20000118
110	Cap smoke analysis	20157134
140	Flue sensor	20007050
150	Flange gasket (up to serial n. \leq 20119409N3859999)	20123096
150	Flange gasket (from serial n. \geq 20119409N3950001)	20157133
160	Flange gasket	20123098
170	Washer \varnothing 60	R10028426
180	Washer \varnothing 60	R10026345
190	Washer \varnothing 160	20057889
300	Ignition transformer	20001563



POS.	DESCRIPTION	28c
10	Premix burner	20123167
40	Spark electrode	20123610
50	Sensing electrode	20123611
60	Fan with integrated mixer	20124073
70	Clip	R10025062
80	Gasket	20123153
90	Burner seal	20123154
100	Burner insulatin panel	20123157
110	Washer	R10026796
120	Electrode seal	20157555
130	Washer	20057878
140	Washer	20057872
210	Antisticking gas valve	20123161
211	Gas valve solenoid	20040675
220	Pipe	20123151
230	Pipe	20123152
240	4.3Ø diaphragm	20152415
250	Gasket	20123159
260	Washer	R5023
270	Washer	20024869



POS.	DESCRIPTION	28c
10	Pipe	20123195
15	Pipe	20123196
20	Pipe	20123194
30	Pipe	20123185
40	Pipe	20123186
50	Pipe (up to ≤ March 2020)	R10028481
50	Plug (from ≥ March 2020)	20081059
60	Condensation outlet tube	20132108
70	Condensation outlet tube	20132109
80	Degasser-conveyor connection	20123119
90	Pipe	R10028603
100	Condensate reservoir	R10028405
110	Degasser valve assembly	20123449
111	Degasser kit	20032553
112	Clip	20120828
113	Clip	20019767
114	O-ring	R6898
115	Clip	R10024958
116	Air vent valve	20147535
120	Pressure transducer	20024559
121	O-ring	R10026494
130	High limit thermostat	20005585
140	NTC Detector	20078350
150	Clip	R5472
160	Clip	R2165
170	Clip	20024086
200	O ring	R10026324
210	O ring	20000131
230	Washer	R5025
240	Washer	R10027193
250	Clip	R2588
310	6m. pump	20136316
311	Air vent bottle	R10025485
320	Clip	R10025062
330	Clip	R2165
410	9.5 condensing exchanger	20123398
470	Hexagonal socket	20137452
540	Hose clamp	20152306
545	Condensation outlet tube	20100816
550	Washer	R5023



POS.	DESCRIPTION	28c
1	Power wiring harness	20132111
2	Ignition cable	20132114
3	Combustion cable	20154616
4	Three-way valve cable	20123209
5	Low tension cable	20123210
6	Pump cable (PWM)	20132112
7	External utilities cable	20123214
8	D-Sub 25 connector cable	20163797
9	Wiring harness	20124832

Rev.	data	Descrizione
1.0	30/10/2017	E00120170542 : idrometro capillare rame – E00120170341 : valvola sfogo aria aggiunte viti esagonali fissaggio scambiatore a staffe – razionalizzazione circolatori E00120170440 : rubinetto gas e tubo flessibile (con gestione matricola)
2.0	23/05/2018	E00120180111 : valvola sfogo aria – E00120170713 : controllo remoto aggiunto codice fascetta stringitubo – E00120180047 : profilo di tenuta aggiunto codice diaframma valvola gas
3.0	12/10/2018	aggiunta guarnizione elettrodo tavola 4 pos.120 – E00120180553 : cablaggio combustione E00120180135 : copertura parti elettriche ,cruscotto E00120180453 : flangia fumi, guarnizione, tappo presa analisi (con gestione matricola)
4.0	15/03/2019	adeguato disegno valvola sicurezza tav. 2 pos. 150 E00120180854 : cablaggio connessioni D-SUB 25 vie
5.0	11/07/2019	adeguato disegno passacavo multiplo tav. 2 pos. 500 – E00120190215 : flussimetro
6.0	10/11/2020	nessuna produzione da 2017 E0012020102 : applicato modifica rif. data emissione
7.0	19/02/2021	E00120210045: raccordo idraulico
8.0	25/10/2021	E00120210353: cruscotto



Vokera reserve the right to change the specifications without prior notice.
Consumers' statutory rights are not affected.