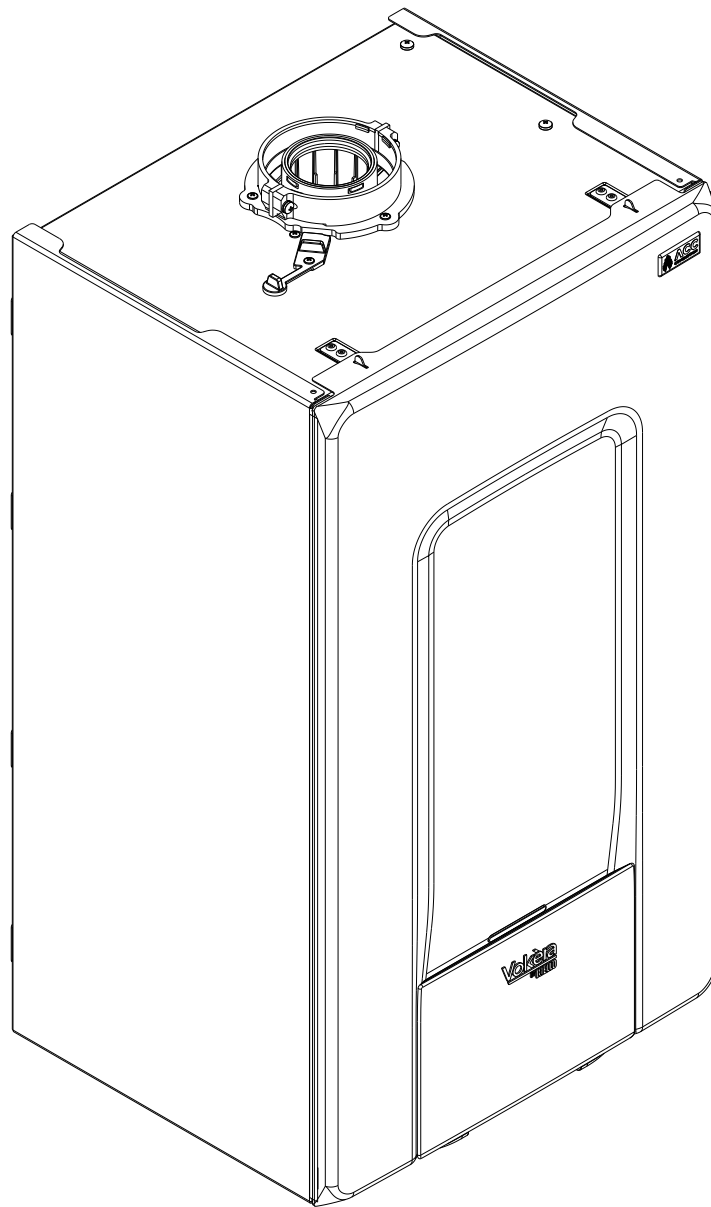
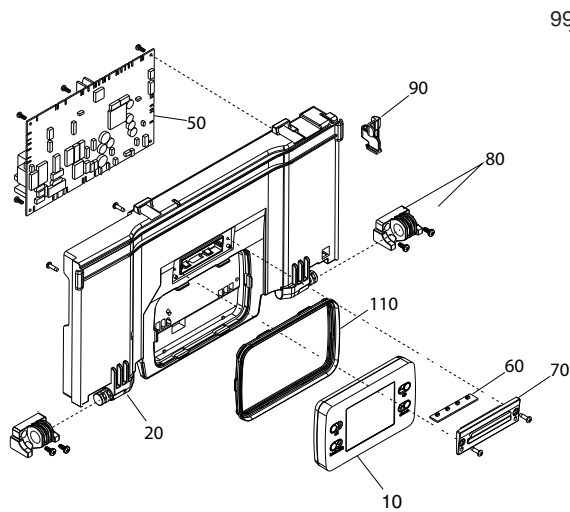
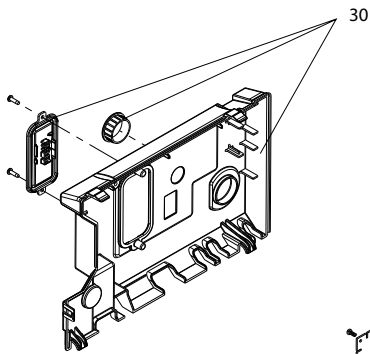
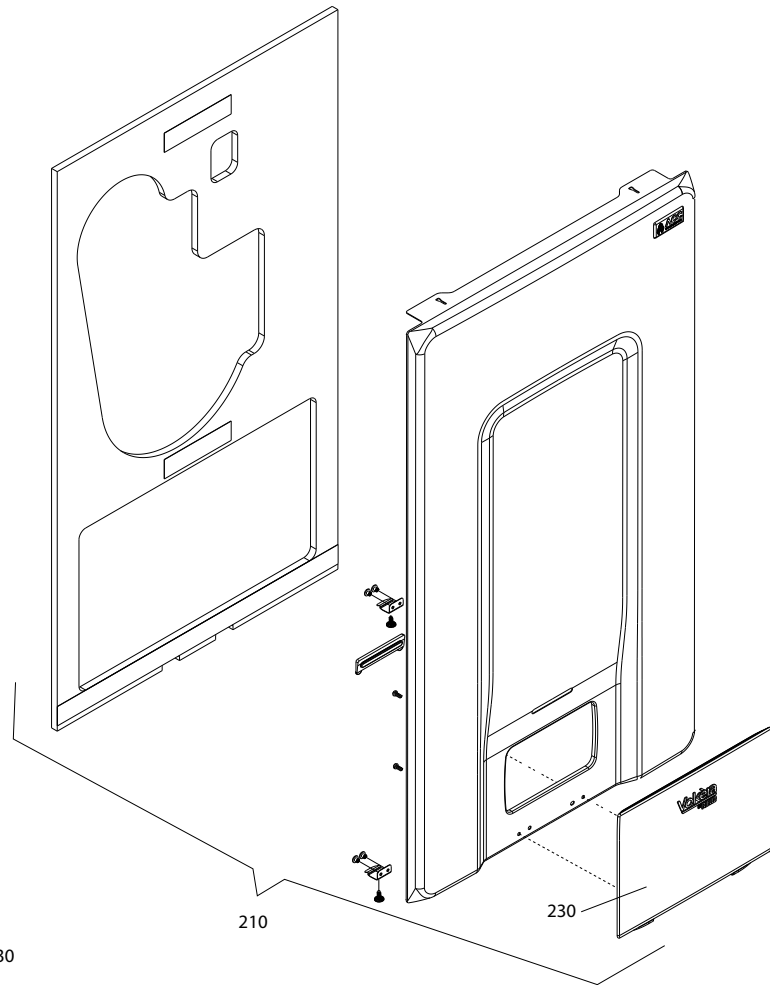


**Wall hung boilers**

**evolve**

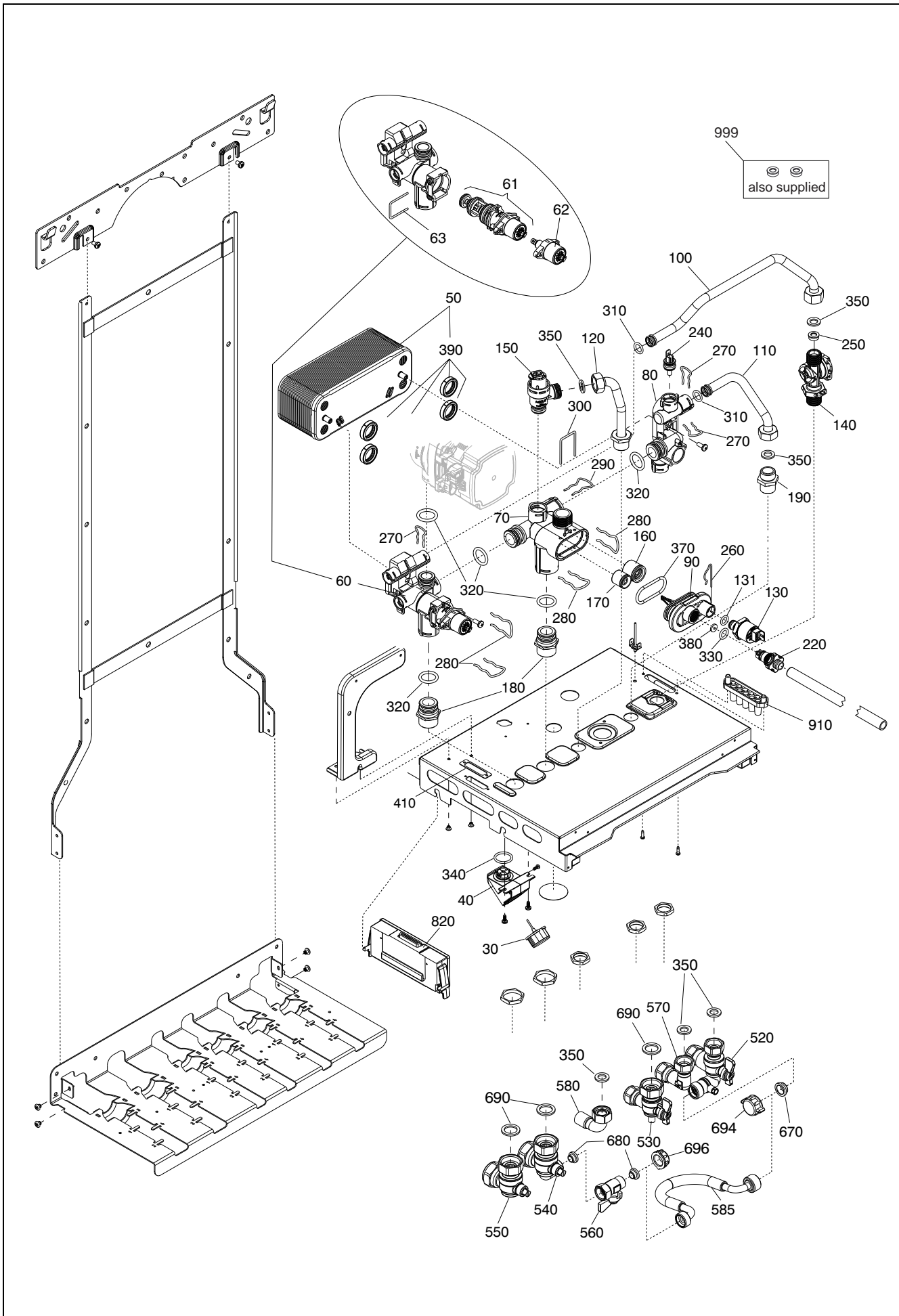


MODEL	PART NUMBER	
	MTN	GPL
evolve 32C	20131015	

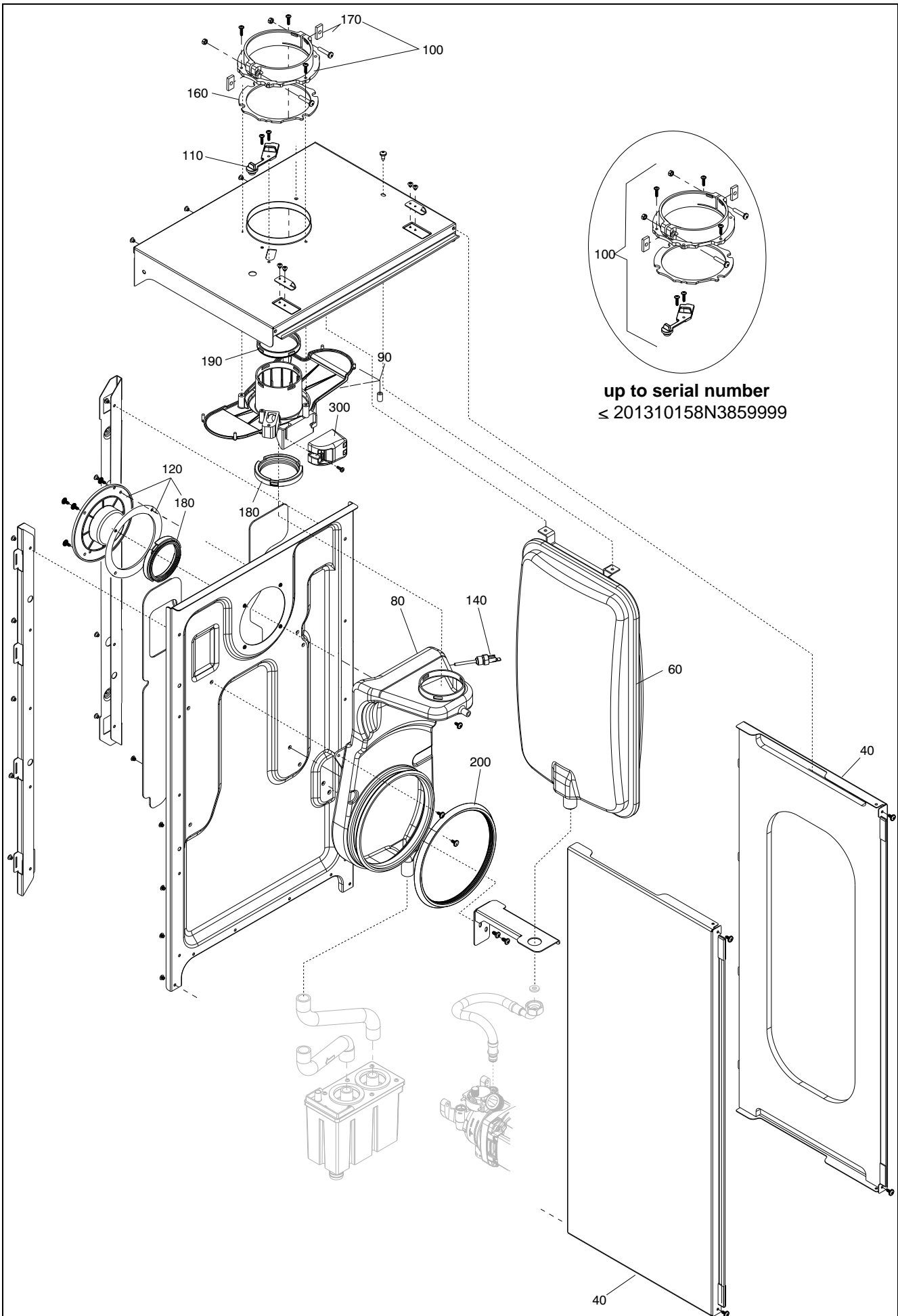


999  
also supplied

POS.	DESCRIPTION	32c
10	Remote control	20151684
20	Instrumental panel	20194432
30	Electric parts cover	20154281
50	Printed circuit board	20123226
60	Led pc board	20123243
70	led protection glass	20123237
80	Rolling hinge	20123231
90	Instrumental panel fastener	20123230
110	Shaped gasket	20123240
210	Front panel	20123262
230	Door panel	20132280
999	Fuse	R3478



POS.	DESCRIPTION	32c
30	Quick primer pressure gauge	20049617
40	Water gauge carrier	20123121
50	Heat exchanger	20132277
60	Three way valve	20123980
61	Stepper actuator and cartridge	20123997
62	Stepper actuator	20123996
63	Clip	20123995
70	By-pass casing	R10024641
80	Connection	R10024640
90	Cover for by-pass assembly	R10024643
100	Pipe	20011423
110	Pipe	R10025840
120	Pipe	20123120
130	Pressure transducer	20024559
131	O-ring	R10026494
140	Dhw actuator	20013968
150	Safety valve	20043820
160	Non return valve	R10025056
170	High head by-pass valve	R1552
180	Fitting/union	R10025059
190	Nipple	R10024985
220	Cock	R10024646
240	NTC sensor	R10027351
250	Flow governor	R10025080
260	Clip	R2165
270	Clip	R10024986
280	Clip	R10024958
290	Clip	R10025062
300	Clip	R10025063
310	O-ring	R10024988
320	O-ring	R6898
330	O-ring	R10025064
340	O-ring	R10023533
350	Washer	R5026
370	O-ring	R10025065
380	Washer	R10025066
390	Washer	R10025067
410	Gasket	20123123
520	Cock	20132651
530	Heating cock (up to serial n.≤20131015M4250168)	20132650
530	Gas tap (from serial n.≥20131015M4250169)	20141319
540	Heat water cock	20132652
550	Heat water cock	20132653
560	Filling cock	20132655
570	Angle pipe	20132654
580	Safety valve pipe	20132656
585	Filling pipe (up to serial n.≤20131015M4250168)	20132851
585	Flexible pipe (from serial n.≥20131015M4250169)	20141318
670	Washer	20133198
680	Washer	20133197
690	Washer	R5023
694	Cap nut	20133199
696	Cap nut	20133200
820	External utilities box	20123127
910	Five positions fairlead	20123125
999	Flow governor	R10026041
999	Flow governor	R10026045

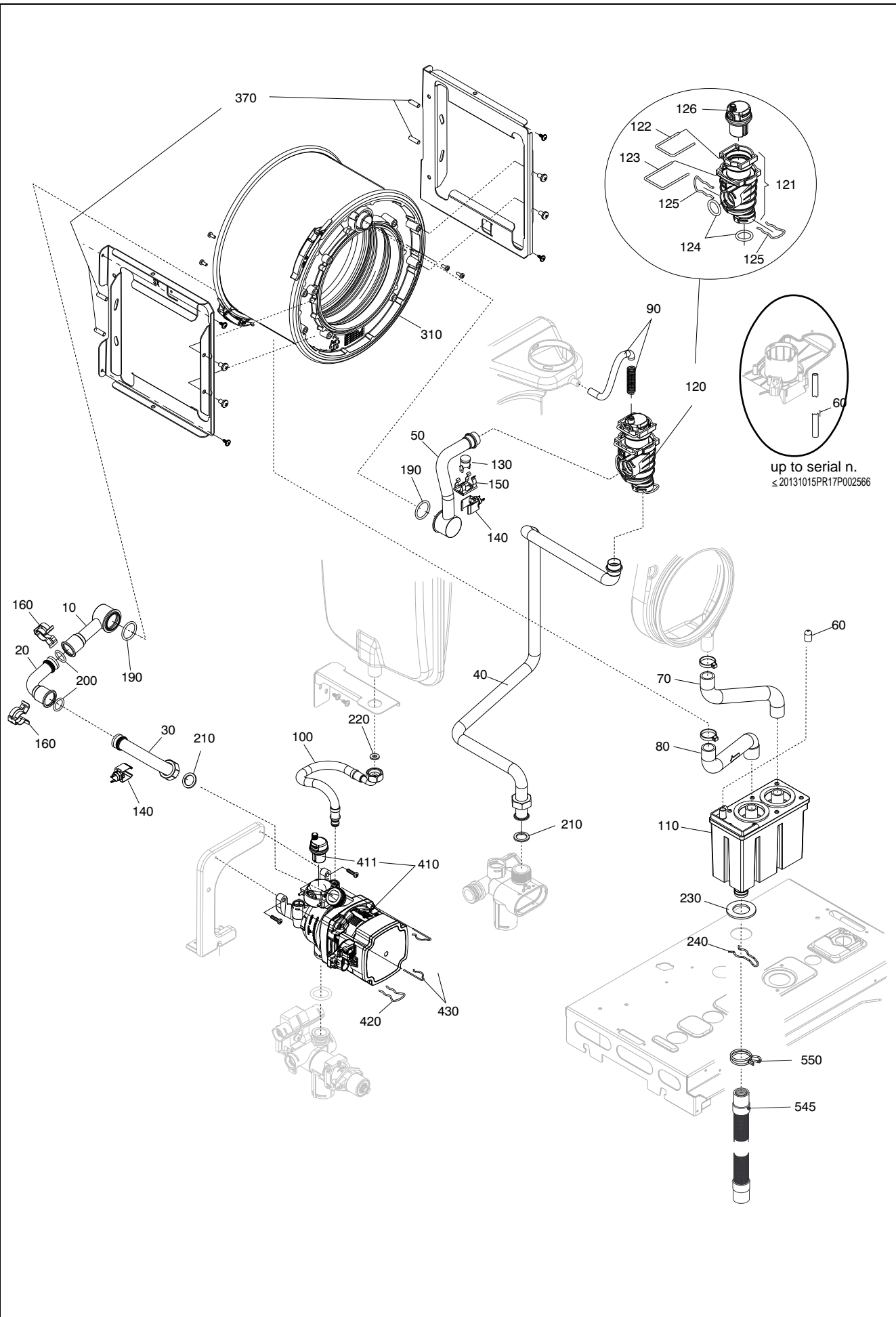


POS.	DESCRIPTION	32c
40	Side panel	20135296
60	9 lt. expansion tank	20135958
80	Conveyor	20123091
90	Fumes connection (up to serial n.≤20131015PR17P002656)	20180037
90	Flue connection (from serial n.≥20131015PR17P002657)	20184816
100	Fumes flange kit (up to serial n.≤20131015N3859999)	20157135
100	Fumes flange (from serial n.≥20131015N3950001)	20157132
110	Cap smoke analysis	20157134
120	Drain plug	20000118
140	Flue sensor	20007050
160	Flange gasket (up to serial n.≤20131015N3859999)	20123096
160	Flange gasket (from serial n.≥20131015N3950001)	20157133
170	Flange gasket	20123098
180	Washer Ø 60	R10028426
190	Washer Ø 60	R10026345
200	Washer Ø 160	20057889
300	Ignition transformer	20001563

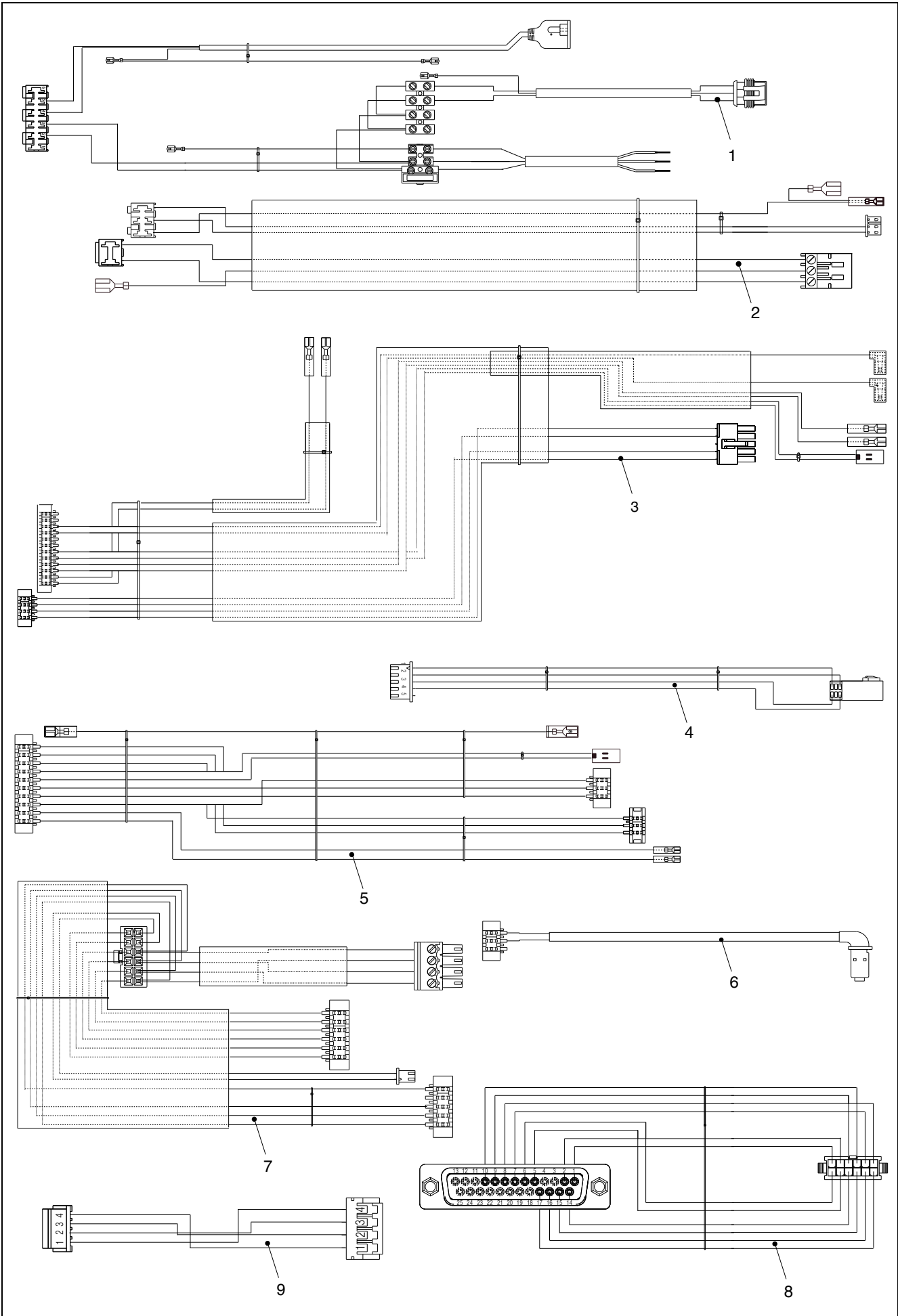




POS.	DESCRIPTION	32c
10	Premix burner	20133759
40	Spark electrode	20123610
50	Sensing electrode	20123611
60	Fan with integrated mixer	20133760
61	silencer kit (up to serial n. ≤PR06Q002459)	20187003
64	Silencer (from serial n. ≥PR06Q002460)	20187000
68	Spring (from serial n. ≥PR06Q002460)	20187001
70	Clip	R10025062
80	Gasket	20123153
90	Burner seal	20123154
100	Burner insulatin panel	20123157
110	Washer	R10026796
120	Electrode seal	20157555
130	Washer	20057878
140	Washer	20057872
210	Antisticking gas valve	20123161
211	Gas valve solenoid	20040675
220	Pipe	20123151
230	Pipe	20133755
240	Ø5.2 diaphragm	20152553
250	Gasket	20123159
260	Washer	R5023
270	Washer	20024869



POS.	DESCRIPTION	32c
10	Pipe	20123195
20	Pipe	20123196
30	Pipe	20123194
40	Pipe	20133761
50	Pipe	20123186
60	Pipe (up to serial n.≤20131015PR17P002656)	R10028481
60	Plug (from serial n.≥20131015PR17P002657)	20081059
70	Condensation outlet tube	20132108
80	Condensation outlet tube	20132109
90	Degasser-conveyor connection	20123119
100	Pipe	R10025188
110	Condensate reservoir	R10028405
120	Degasser valve assembly	20123449
121	Degasser kit	20032553
122	Clip	20120828
123	Clip	20019767
124	O-ring	R6898
125	Clip	R10024958
126	Air vent valve	20147535
130	High limit thermostat	20005585
140	NTC Detector	20078350
150	Clip	R5472
160	Clip	20024086
190	O ring	R10026324
200	O ring	20000131
210	Washer	R5023
220	Washer	R5026
230	Washer	R10027193
240	Clip	R2588
310	10.5 condensing exchanger	20125030
370	Hexagonal socket	20137452
410	6m. pump	20136316
411	Air vent bottle	R10025485
420	Clip	R10025062
430	Clip	R2165
545	Condensation outlet tube	20100816
550	Hose clamp	20152306



POS.	DESCRIPTION	32c
1	Power wiring harness	20132111
2	Ignition cable	20132114
3	Combustion cable	20154616
4	Three-way valve cable	20123209
5	Low tension cable	20123210
6	Pump cable (PWM)	20132112
7	External utilities cable	20123214
8	D-Sub 25 connector cable	20163797
9	Wiring harness	20124832

Rev.	data	Descrizione
1.0	30/10/2017	E00120170542 : idrometro capillare rame – E00120170341 : valvola sfogo aria aggiunte viti esagonali fissaggio scambiatore a staffe – razionalizzazione circolatori E00120170440 : rubinetto gas e tubo flessibile (con gestione matricola)
2.0	23/05/2018	E00120180111 : valvola sfogo aria – E00120170713 : controllo remoto aggiunto codice fascetta stringitubo – E00120180047 : profilo di tenuta aggiunto codice diaframma valvola gas
3.0	16/10/2018	aggiunta guarnizione elettrodo tavola 4 pos.120 – E00120180553 : cablaggio combustione E00120180135 : copertura parti elettriche ,cruscotto E00120180453 : flangia fumi, guarnizione, tappo presa analisi (con gestione matricola)
4.0	15/03/2019	adeguato disegno valvola sicurezza tav. 2 pos. 150 E00120180854 : cablaggio connessioni D-SUB 25 vie
5.0	11/07/2019	adeguato disegno passacavo multiplo tav. 2 pos. 910 – E00120190215 : flussimetro
6.0	20/10/2020	E00120200102: sostituzione racc. scarico fumi
7.0	19/02/2021	E00120200467: tubo aspirazione e molla E00120210045: raccordo idraulico
8.0	25/10/2021	E00120210353: cruscotto




---

Vokera reserve the right to change the specifications without prior notice.  
Consumers' statutory rights are not affected.