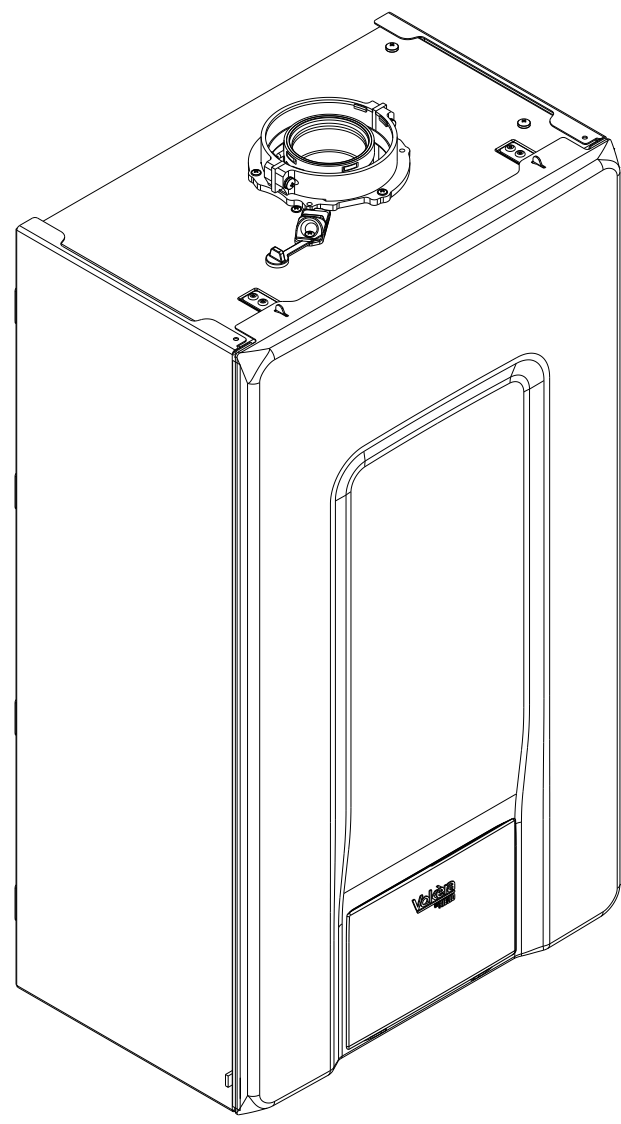
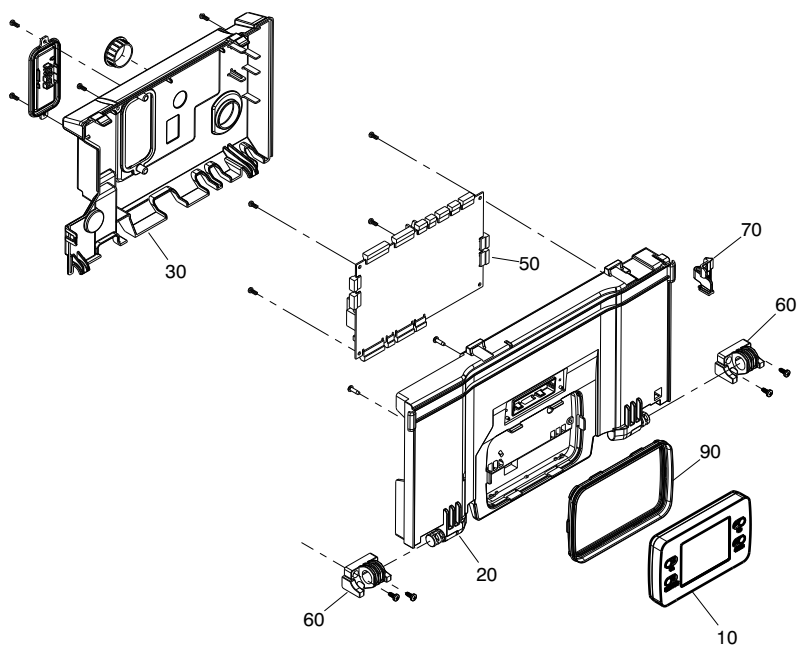
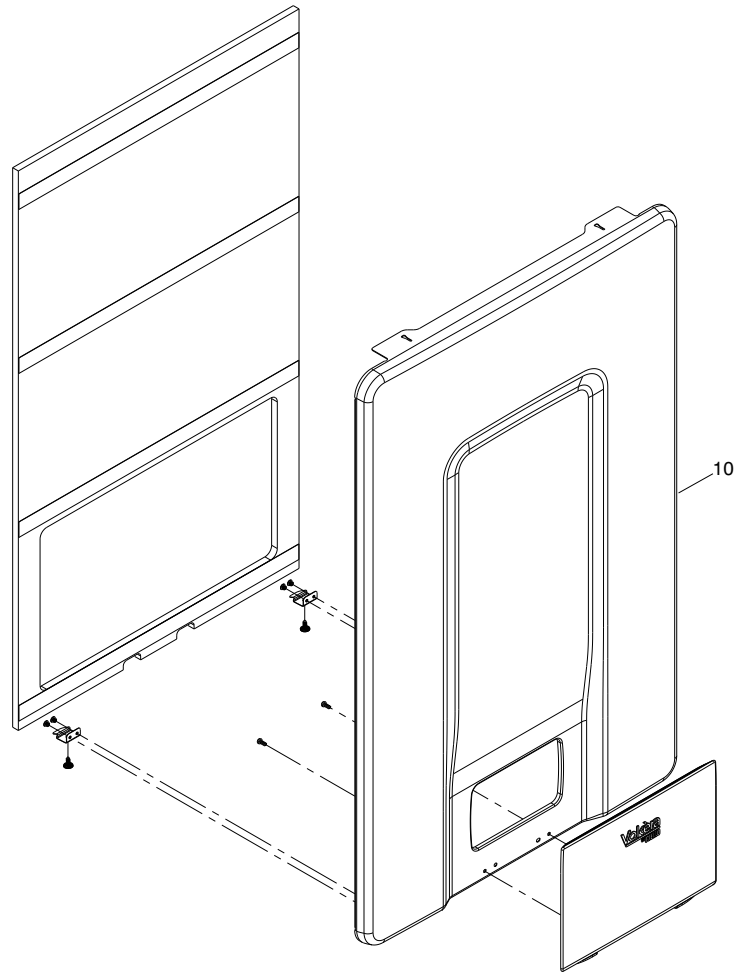


Wall hung boilers

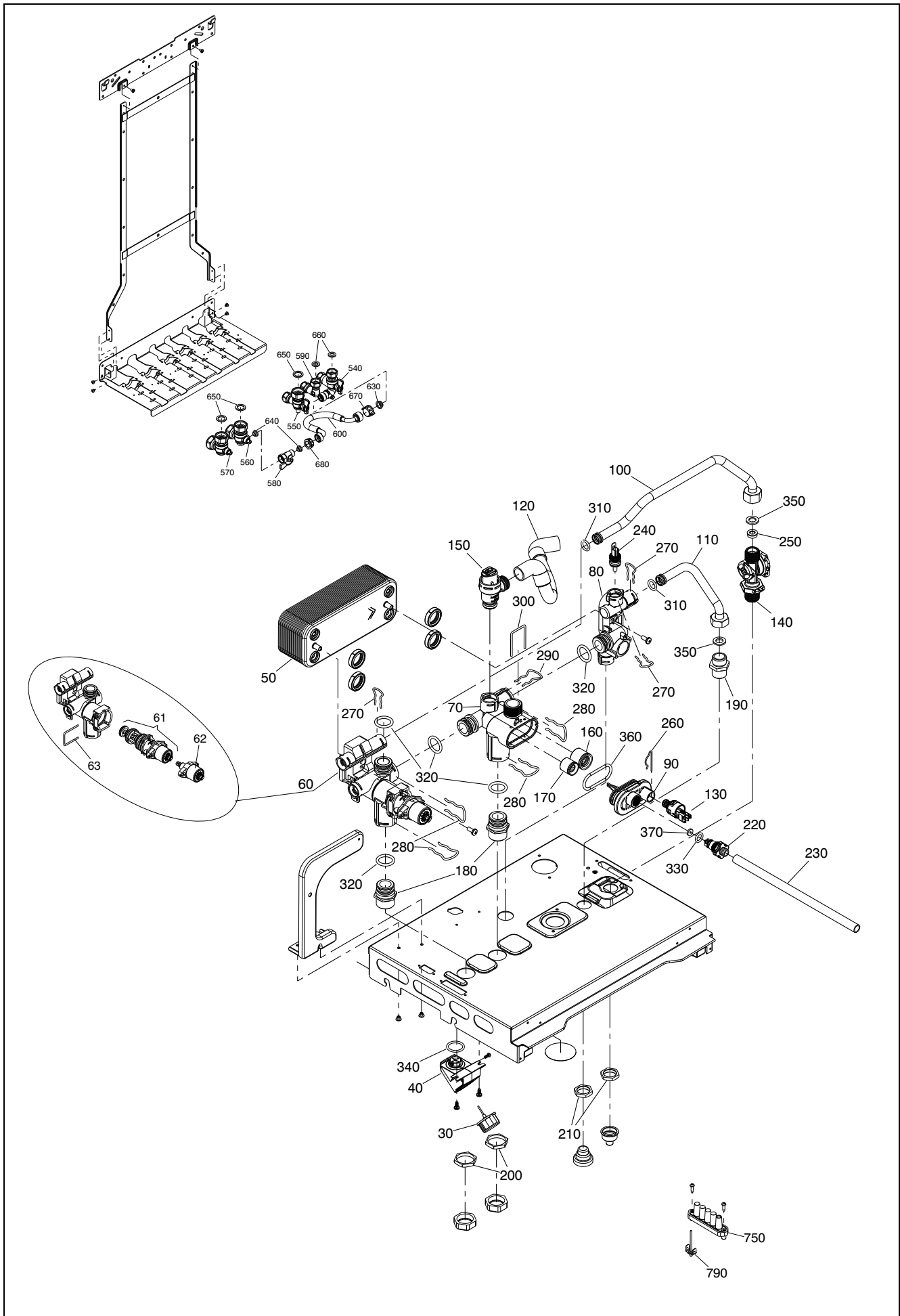
UNICA MAX 35C



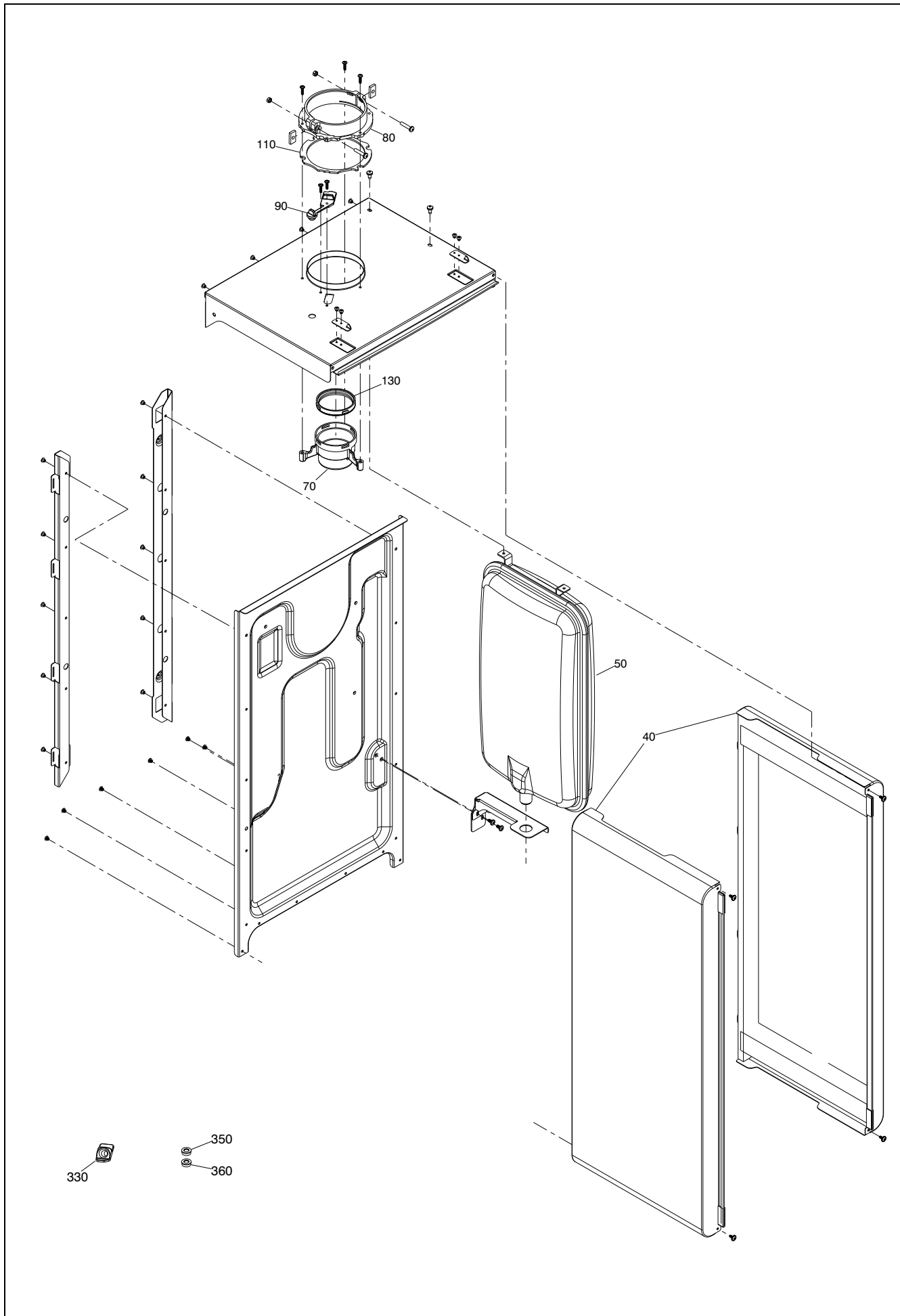
MODEL	PART NUMBER	
	MTN	GPL
Unica Max 35C	20188336	-



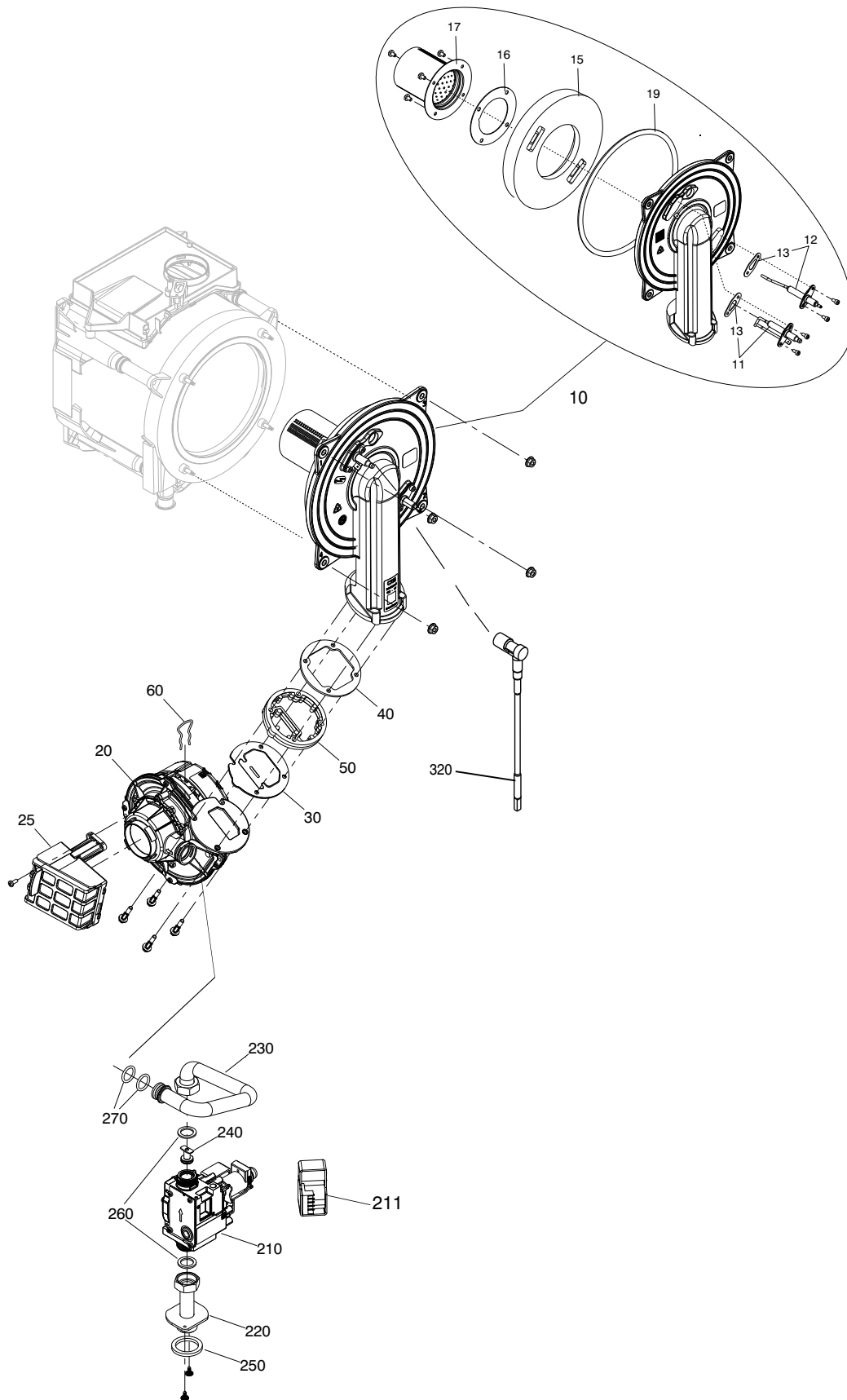
POS.	DESCRIPTION	35C
10	Remote control	20189301
20	Instrumental panel	20194432
30	Electric parts cover	20154281
50	Printed circuit board	20146241
60	Rolling hinge	20123231
70	Instrumental panel fastener	20123230
90	Shaped gasket	20123240
210	Front panel	20191397



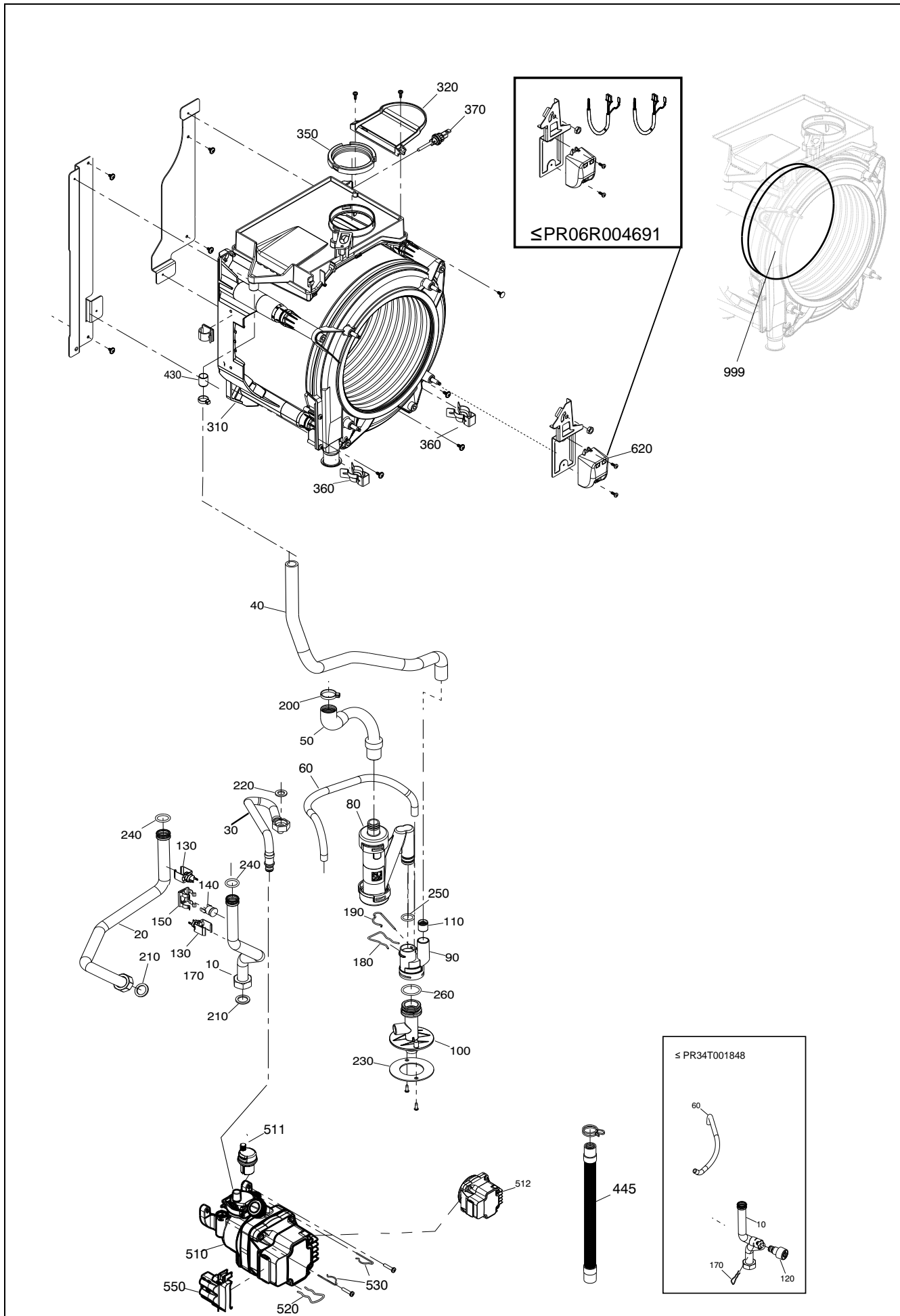
POS.	DESCRIPTION	35C
30	Quick primer pressure gauge	20049617
40	Water gauge carrier	20123121
50	Heat exchanger	R10024627
60	Three way valve	20123980
61	Stepper actuator and cartridge	20123997
62	Stepper actuator	20123996
63	Clip	20123995
70	By-pass casing	R10024641
80	Fitting/union	R10024640
90	Cover for by-pass assembly	R10024643
100	Pipe	20011423
110	Pipe	R10025840
120	Flexible pipe	R10029309
130	Pressure transductor	20188992
140	Dhw actuator	20013968
150	Safety valve	20043820
160	Non return valve	R10025056
170	High head by-pass valve	R1552
180	Fitting/union	R10025059
190	Nipple	R10024985
200	3/4" locknut	R4026
210	1/2" lock nut	R4274
220	Cock	R10024646
230	Pvc tube	R10025068
240	NTC sensor	R10027351
250	Flow governor	R10025080
260	Clip	R2165
270	Clip	R10024986
280	Clip	R10024958
290	Clip	R10025062
300	Clip	R10025063
310	O-ring	R10024988
320	O-ring	R6898
330	O-ring	R10025064
340	O-ring	R10023533
350	Washer	R5026
360	O-ring	R10025065
370	Washer	R10025066
540	Cock	20132651
550	Gas tap	20141319
560	Heat water cock	20132652
570	Heat water cock	20132653
580	Filling cock	20132655
590	Angle pipe	20132654
600	Flexible pipe	20141318
630	Washer	20133198
640	Washer	20133197
650	Washer	R5023
660	Washer	R5026
670	Cap nut	20133199
680	Cap nut	20133200
750	Five positions fairlead	20123125
790	Ground rivet	20154023



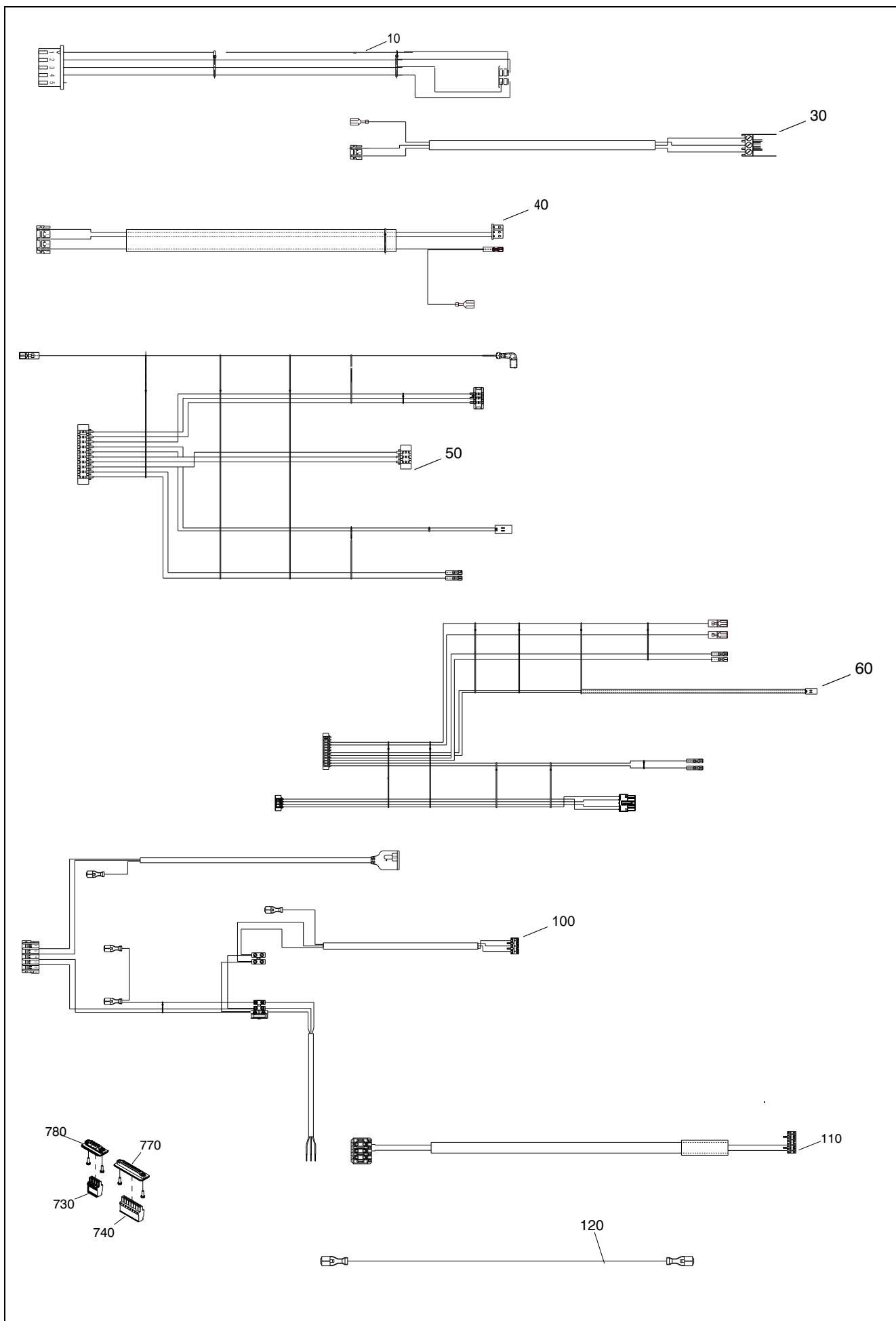
POS.	DESCRIPTION	35C
40	Side panel	20139798
50	10 ft. expansion vessel	20135787
70	Flue drain connection	R10028421
80	Fumes flange	20157132
90	Cap smoke analysis	20157134
110	Flange gasket	20157133
130	Washer Ø 60	R10026345
330	Cap smoke analysis	20171129
350	Flow governor	R10026041
360	Flow governor	R10026045



POS.	DESCRIPTION	35C
10	Air/gas conveyor	20177651
11	Ignition electrode	20135946
12	Sensing electrode	20135947
13	Electrode seal	20157191
15	Insulation panel	20177648
16	Seal burner	20135949
17	Premix burner	20136089
19	Washer	20135951
20	Integrated fan	20136075
25	Air filter	20190419
30	Non return valve	20169395
40	Washer	20135952
50	Spacer	20177790
60	Clip	R10025062
210	Antisticking gas valve	20123161
211	Gas valve solenoid	20040675
220	Pipe	20123151
230	Pipe	20154285
240	Ø5.2 diaphragm	20152553
250	Gasket	20123159
260	Washer	R5023
270	Washer	20024869
320	Spark electrode cable	20197816



POS.	DESCRIPTION	35C
10	Pipe (\leq PR34T001848)	20167473
10	Pipe (\geq PR34T001849)	20221152
20	Pipe	20154283
30	Pipe	R10025188
40	Condensing pipe	20191408
50	Pipe	20190420
60	Tube kit (\leq PR34T001848)	20136036
80	Kit siphon + pipe (\leq PR34T001848)	20221117
80	Drainage connector (\geq PR34T001849)	20221147
90	Condensation outlet (drainage) manifold	20190416
100	Bracket	20190417
110	Non return valve	20188456
120	Cock (\leq PR34T001848)	20000533
130	NTC Detector	20078350
140	High limit thermostat	20005585
150	Clip	R5472
170	Clip (\leq PR34T001848)	20000539
180	Clip	R10023532
190	Clip	R2222
210	Washer	R10023699
220	Washer	R5026
230	Washer	20188453
240	O ring	20152424
250	O-Ring	20140935
260	O ring	R10026324
310	Condensing exchanger assembly	20177653
320	Rain coat for exchanger	20135930
350	Washer \varnothing 60	R10028426
360	Spring pipe	20000130
370	Flue sensor	20135782
430	Hole cover	20181027
445	Condensation outlet tube	20100816
510	Pump	20191108
511	Air vent bottle	20169571
512	Motor	20195457
520	Clip	R10025062
530	Clip	R2165
550	Cover	20180465
620	Transformer (\leq PR06R004691)	20197825
620	Ignition transformer	20202286
999	Retarder insulating panel	20159693



POS.	DESCRIPTION	35C
10	Three-way valve cable	20123209
30	Fan wiring harness	20135794
40	Flame wiring harness	20197819
50	Low tension cable	20135800
60	Combustion cable	20152422
100	Power wiring harness	20190421
110	Pump cable (PWM)	20190422
120	Wiring harness	20204627
730	4-pin connector	20154287
740	Connector	20154288
770	Wiring harness	20184336
780	Bus wiring harness	20190415

Rev.	data	Descrizione
1.0	25/11/2021	E00120210353 + E00120210445: cruscotto + motore Taco
2.0	23/02/2022	E00120210551: posizione accenditore
3.0	20/05/2022	E00120210511: trasduttore
4.0	luglio 2024	modifica tavole 2-6 x claim C24-01011
5.0	26/09/2024	E00120230387 : modifica sifone



Vokera reserve the right to change the specifications without prior notice.
Consumers' statutory rights are not affected.