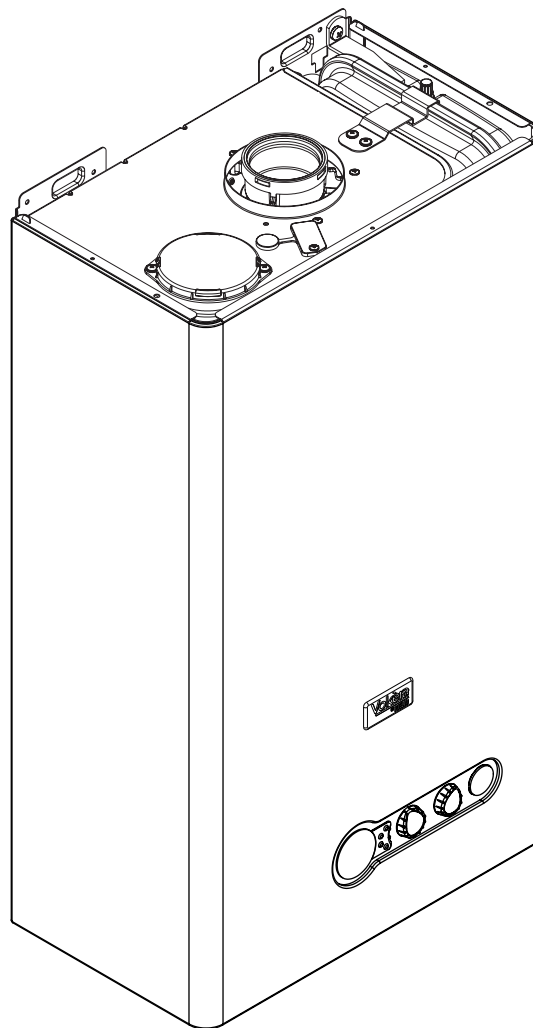
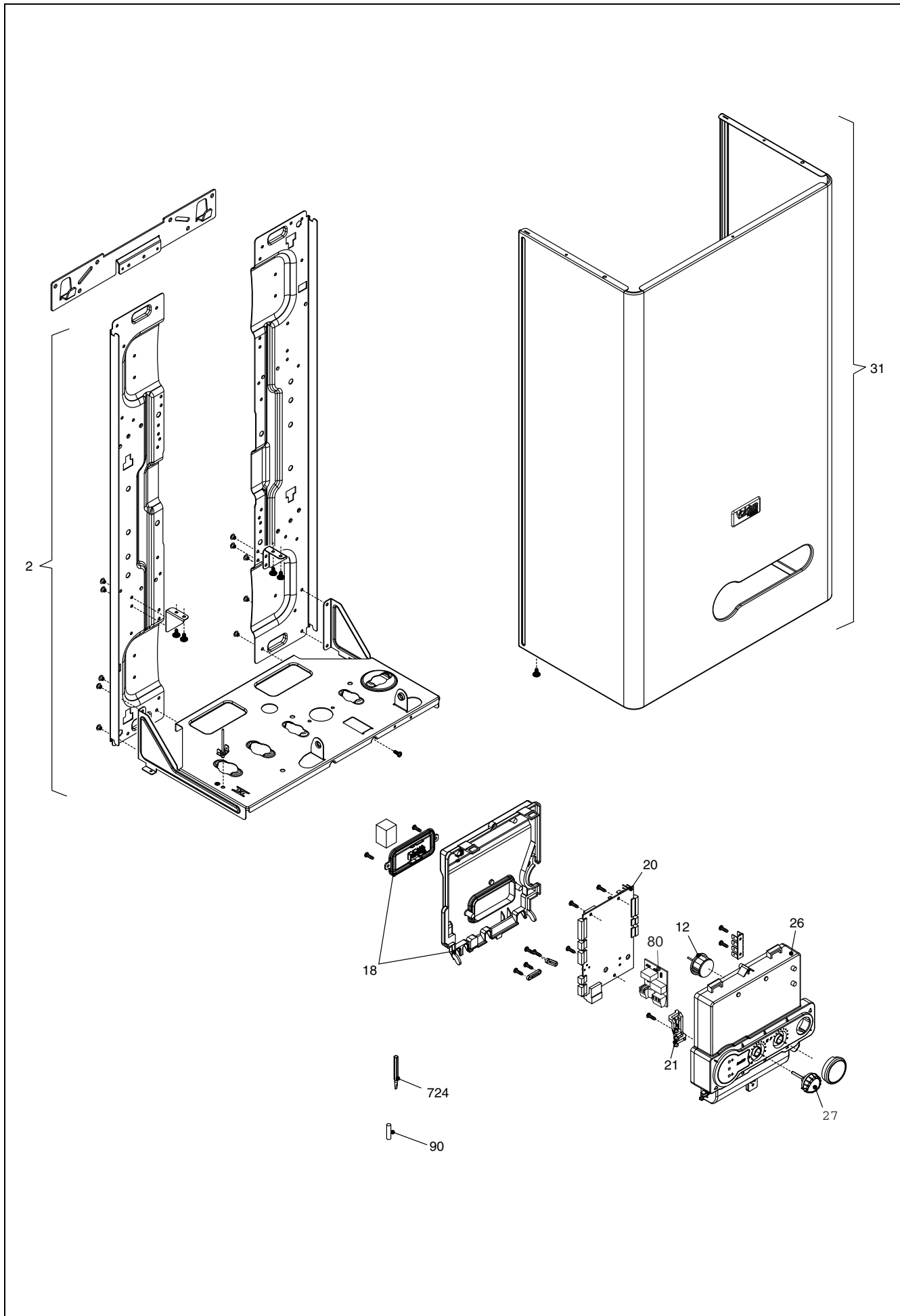


Wall hung boilers

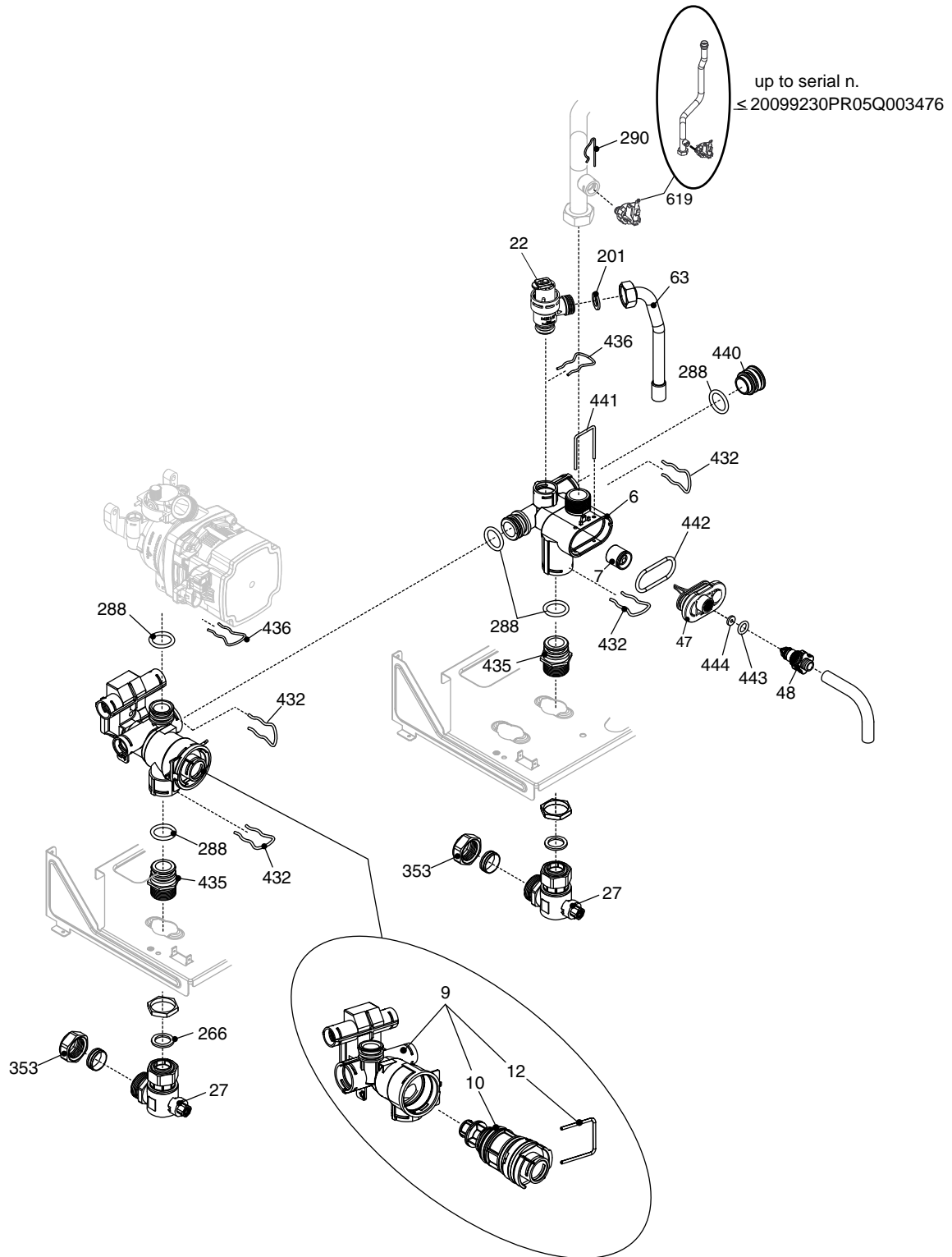
VIBE 20A



MODEL	PART NUMBER	
	MTN	GPL
Vibe 20A	20099230	-



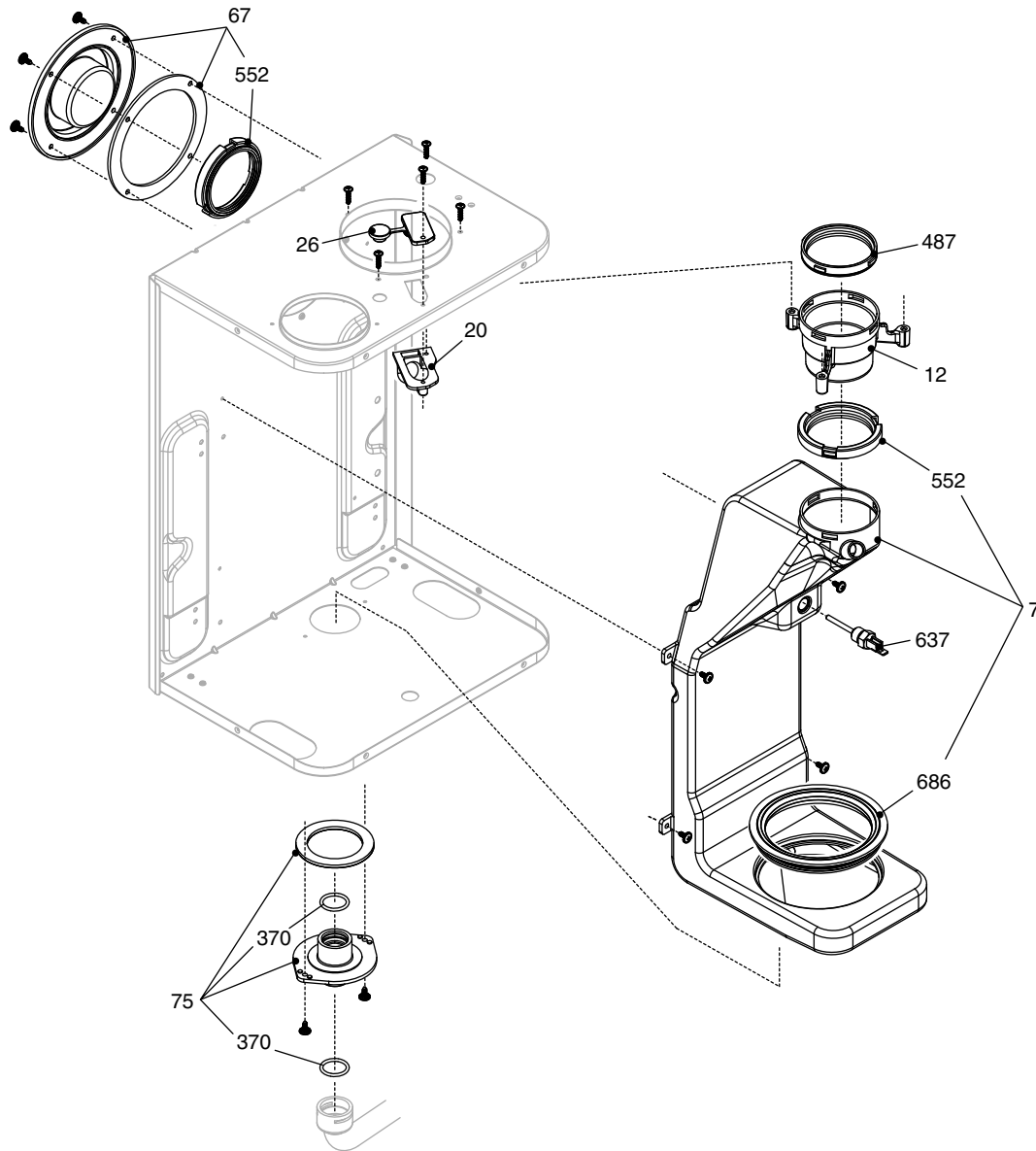
POS.	DESCRIPTION	20a
2	Frame assembly	20049618
12	Quick primer pressure gauge	20049617
18	Cover assembly	20057326
20	Printed circuit board AKL03 (up to serial n. ≤ 20099230N0650072)	20069541
20	Printed circuit board AKL03NGAR	20177589
21	Led light guide	20057350
26	Instrumental panel	20088617
27	Knob	20057330
31	Case Assembly	20132153
80	Printed circuit board	20076436
90	Fuse	R3478
724	Calibration screwdriver	R2455



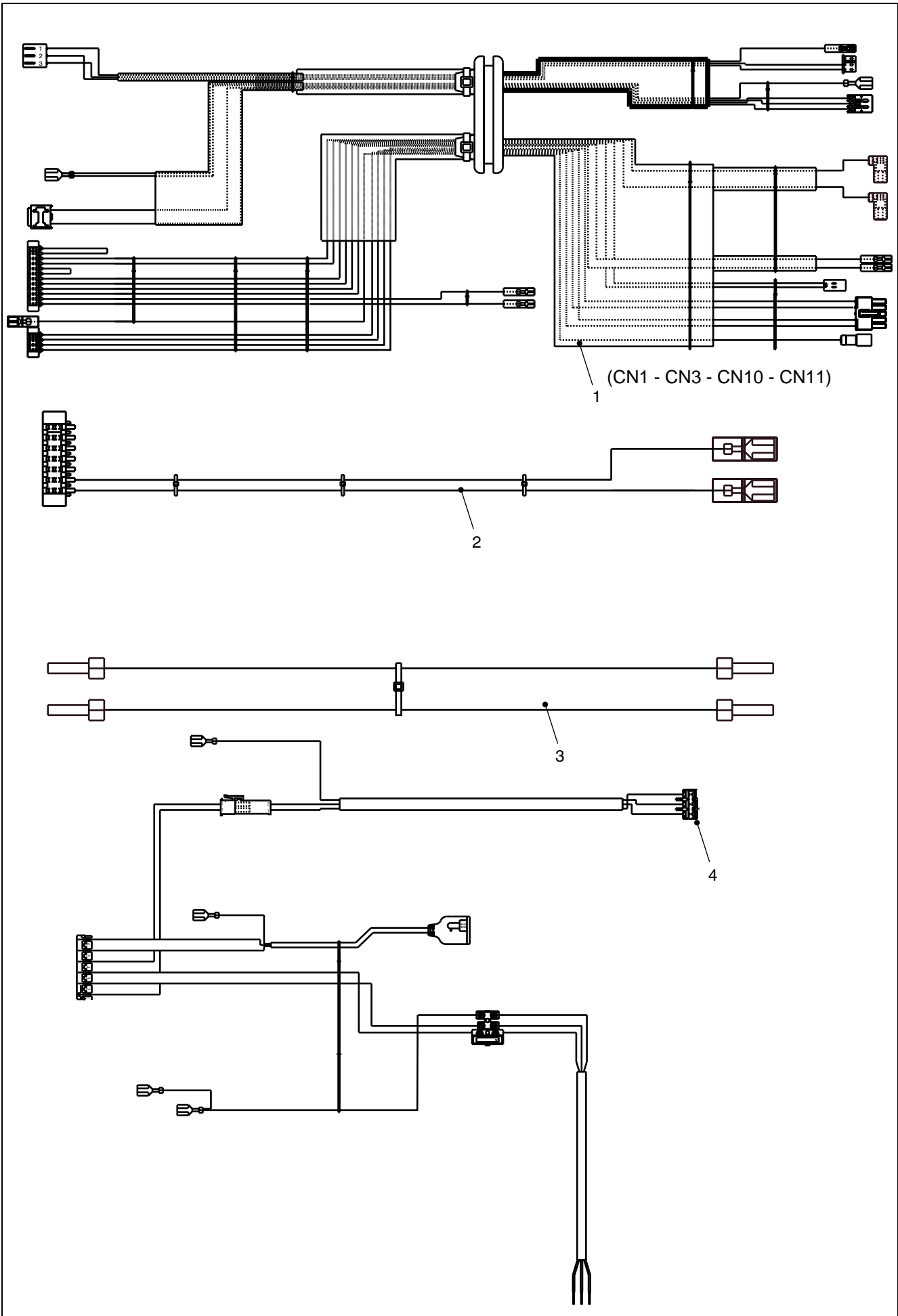
POS.	DESCRIPTION	20a
6	By-pass casing	R10024641
7	By-pass valve	R1552
9	Heating manifold and cartridge	R10027768
10	3 way valve cartridge	R10025305
12	Clip	R10025450
22	Safety valve	20043820
27	Heating cock	R1789
47	Cover for by-pass assembly	20133375
48	Cock	R10024646
63	Pipe	20025755
201	Washer	R5026
266	Washer	R5237
288	Ring	R6898
290	Clip	R2165
353	Nut	R1824
432	Clip	R10024958
435	Fitting/union	R10025059
436	Clip	R10025062
440	Automatic by-pass plug	R10024645
441	Clip	R10025063
442	O ring	R10025065
443	O ring	R10025064
444	Washer	R10025066
619	Pressure switch (up to serial \leq 20099230PR05Q003476)	20186918
619	Pressure switch (from to serial n. \geq 20099230PR05Q003477)	20186917

POS.	DESCRIPTION	20a
1	8 lt. expansion vessel	20138101
2	Pipe	R10028603
3	6m. pump (up to serial n. ≤20099230PR03P004770)	20136316
3	Pump 6 mt. (from serial n. ≥20099230PR03P04771)	20178238
4	Air vent bottle (p to serial n. ≤20099230PR03P004770)	R10025485
4	Air vent bottle (from serial n. ≥20099230PR03P04771)	20169571
5	connectors support (from serial n. ≥20099230PR03P04771)	20169574
7	Pipe	20166123
8	Condensing exchanger assembly (up to serial n. ≤PR03P004770)	20163794
8	Condensing exchanger assembly (from serial n. ≥PR03P004771)	20163794
9	Pipe (up to serial n. ≤ 20099230O1150072)	20090680
9	Pipe (from serial n. ≥ 20099230O1150073)	20161310
10	Pipe (up to serial n. ≤PR03P004770)	20166124
10	Pipe (rom serial n. ≥PR03P004771)	20186278
19	expansion vessel bracket	20125261
25	Drainage pipe + siphon kit (up to serial n. ≤PR03P004770)	20169871
25	Siphon	20185155
27	Condensation outlet tube	20025743
34	Degasser kit (up to serial n. ≤PR03P004770)	20032553
34	Hydraulic connection (om serial n. ≥PR03P004771)	20164544
60	Connection (up to serial n. ≤PR03P004770)	20039953
66	Flexible pipe	R10027545
71	Pipe (up to serial n. ≤ 20099230O1150072)	20025746
73	Cock (up to serial n. ≤ 20099230O1150072)	R10028431
88	Connection	20039954
288	O-ring	R6898
290	Clip	R2165
302	Washer	R5025
370	O-ring	R10023533
371	Clip	R10023532
432	Clip	R10024958
538	Hose clamp	20152306
587	Connection (from serial n. ≥PR03P004771)	R10030382
668	Clip	20019767
701	Vent plug (up to serial n. ≤ 20099230O1150072)	R10023235
735	Water filter	20165861
825	NTC Detector	20078350
870	Silicone tube (from serial n. ≥PR03P004771)	20169891

POS.	DESCRIPTION	20a
3	Integrated fan	20081316
4	Burner	20044892
5	Spark ignition electrode	20025737
9	Clip	20093799
12	Pipe	20025745
13	Gas valve	20039202
14	Gas pipe	20005553
15	3/4" gas cock	R10020897
16	Combustion chamber cover	20005594
17	Gas valve solenoid	20040675
18	Plug	20005550
27	Hole cover (up to serial n. ≤20099230PR03P004770)	20005586
33	Electrode seal	20025740
34	Protection	20044890
40	Heat exchanger gasket (25kw)	20160018
55	Fumes flange (from serial n. ≥ 20099230PR03P004771)	20157132
67	Burner seal (25kw)	20160017
68	Cover	20044895
77	Washer	20025753
79	Flame sensor electrode	20043523
92	Silencer	20025760
142	Flange gasket (from serial n. ≥ 20099230PR03P004771)	20157133
144	Flange gasket (from serial n. ≥ 20099230PR03P004771)	20123098
200	Washer	R5023
436	Clip	R10025062
613	Ignition transformer	20001563
625	High limit thermostat	20005585
629	Sealing gasket	20166929
680	Washer	20024869
683	Sealing gasket	20166930
700	Ng conversion kit	20082915
700	LPG conversion kit	20082917



POS.	DESCRIPTION	20a
7	Conveyor	20055453
12	Flue drain connection	R10028421
20	Outlet nut	20026049
26	Plug	20026058
67	Drain plug	20000118
75	Flue clector	20026056
370	O ring	R10023533
487	Washer Ø 60	R10026345
552	Washer Ø 60	R10028426
637	Flue sensor	20007050
686	Washer	20026059



POS.	DESCRIPTION	20a
1	Combustion cable	20025736
2	Low tension cable	20035502
3	Wiring harness	20076437
4	Power wiring harness (from serial n. \geq 20099230PR03P04771)	20096531
4	Power wiring harness (up to serial n. \leq P200099230PR03P004770)	20169575

Rev.	data	Descrizione
1.0	07/04/2016	E00120150290 : tappo degasatore 2 fori – Aggiunta guarnizione bruciatore Inserita nuova tavola per gestione disegni cablaggi elettrici
2.0	22/02/2017	Corretto disegno coperchio camera combustione – aggiunta staffa fissaggio vaso espansione Aggiornata vista assonometrica caldaia della copertina – Aggiornato codice mantello aggiunta molletta fissaggio tappo degasatore – E00120170040 : Nuovo Brand Vokera by Riello
3.0	19/06/2017	E00120170341 : valvola sfogo aria – E00120170129 : circolatore E00120170020 : idrometro innesto rapido – Corretto lingua pag. 3 e 7
4.0	20/07/2017	E00120170407 : coperchio corpo by-pass
5.0	28/09/2017	E00120170441 : vaso espansione – E00120170542 : idrometro capillare rame
6.0	23/01/2018	E00120180036 : mollette su rampe alluminio – E00120170428 : Rampe alluminio
7.0	20/02/2018	E00120170696 : sifone modifica GAR E00120170611 : scheda modifica GAR (con gestione matricola)
8.0	24/09/2018	Aggiunta molletta fissaggio tubo tav.3 pos.538 – E00120180111 : valvola sfogo aria E00120180510 : traversa sostegno caldaia – E00120180460 : sifone condensa
9.0	24/01/2019	E00120180694 : guarnizioni bruciatore e coperchio scambiatore E00120180853 : sfiato aria manuale , cassa aria (con gestione matricola)
10.0	13/03/2019	Corretto numero matricola rif. E00120180853 (errata comunicazione da produttive)
11.0	20/06/2019	aggiunte guarnizioni tav.4 pos. 629 - 683 – E00120190230: rampe rame tav.3 pos. 7 - 10 adeguato disegno valvola sicurezza tav. 2 pos. 22 E00120190143 : scambiatore condensante tubi ovali
12.0	21/04/2020	E00120190311: modifica sifone
13.0	27/07/2020	E00120190436: modifica degasatore
14.0	12/10/2020	E00120190559: modifica AKL03GAR con AKL03NGAR
15.0	09/11/2020	E00120200195: modifica sifone
16.0	25/11/2020	E00120190470: circolatore Taco + cablaggio
17.0	25/11/2020	E00120190263: flangia fumi
18.0	19/01/2021	corretto rampa tavola 3 pos.10/2 (vedi E00120190230)
19.0	04/02/2021	E00120200424 (+ 397): modifica pressostato + rampa (matricola)



Vokera reserve the right to change the specifications without prior notice.
Consumers' statutory rights are not affected.