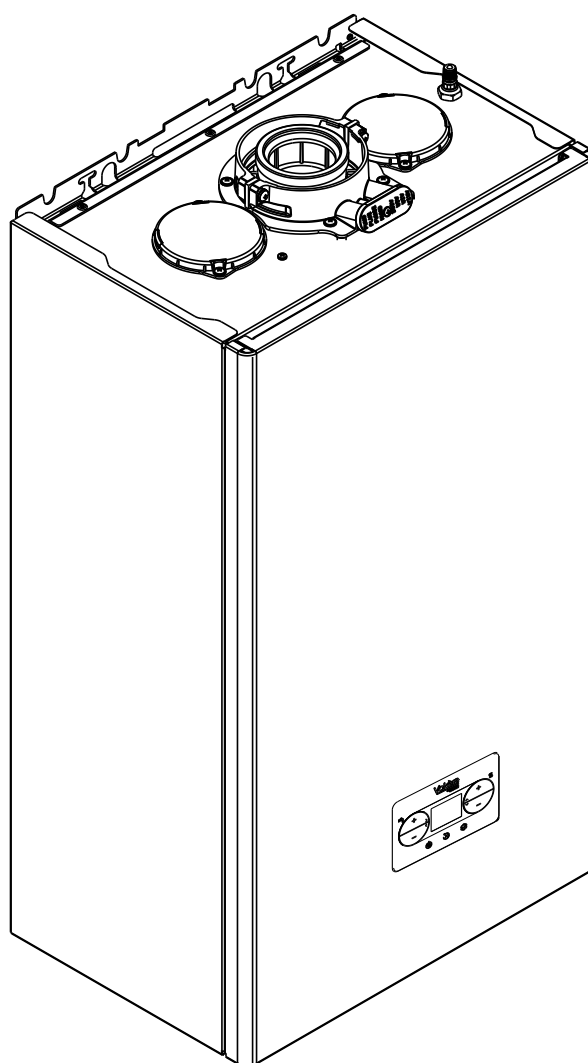
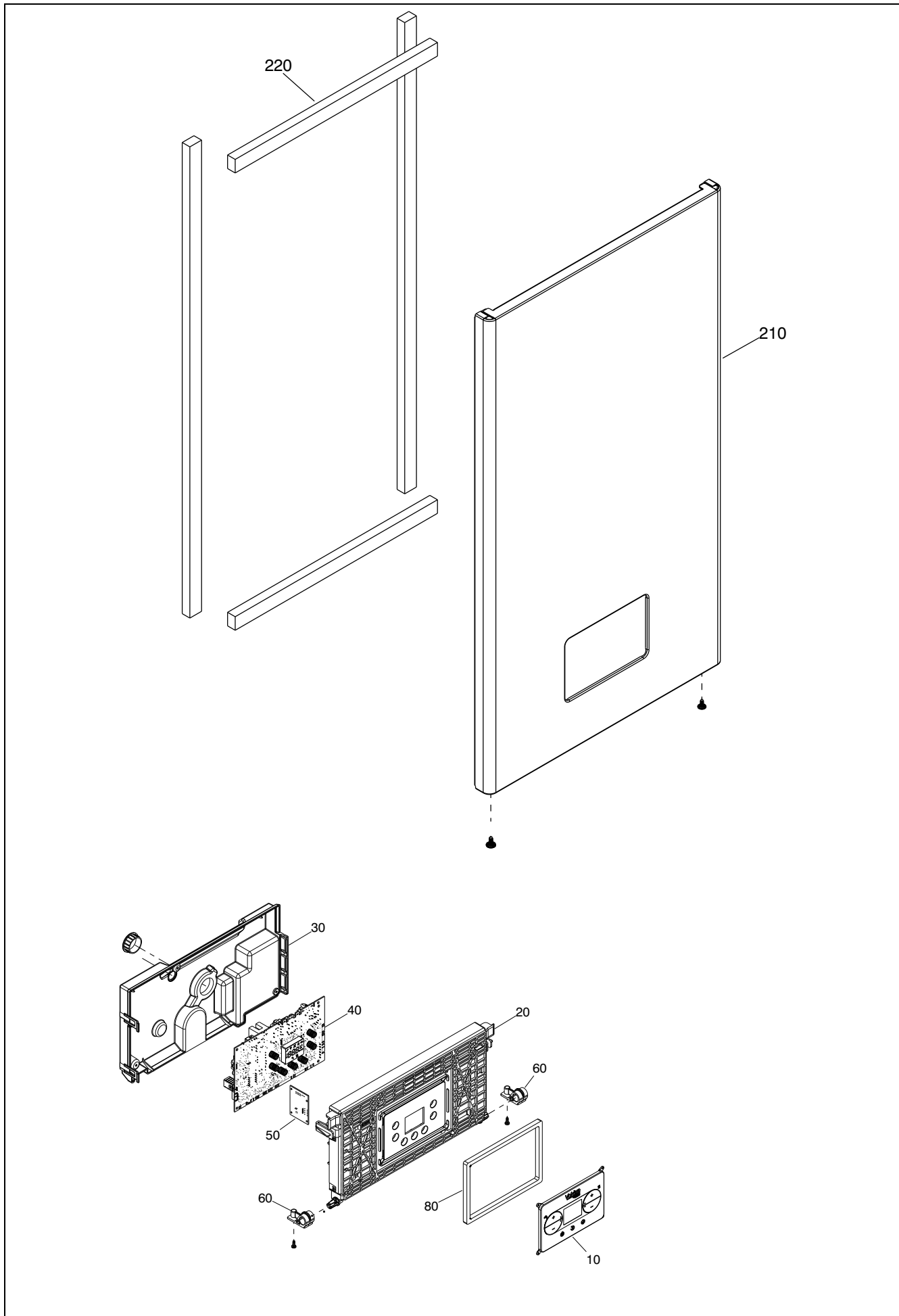


Wall hung boilers

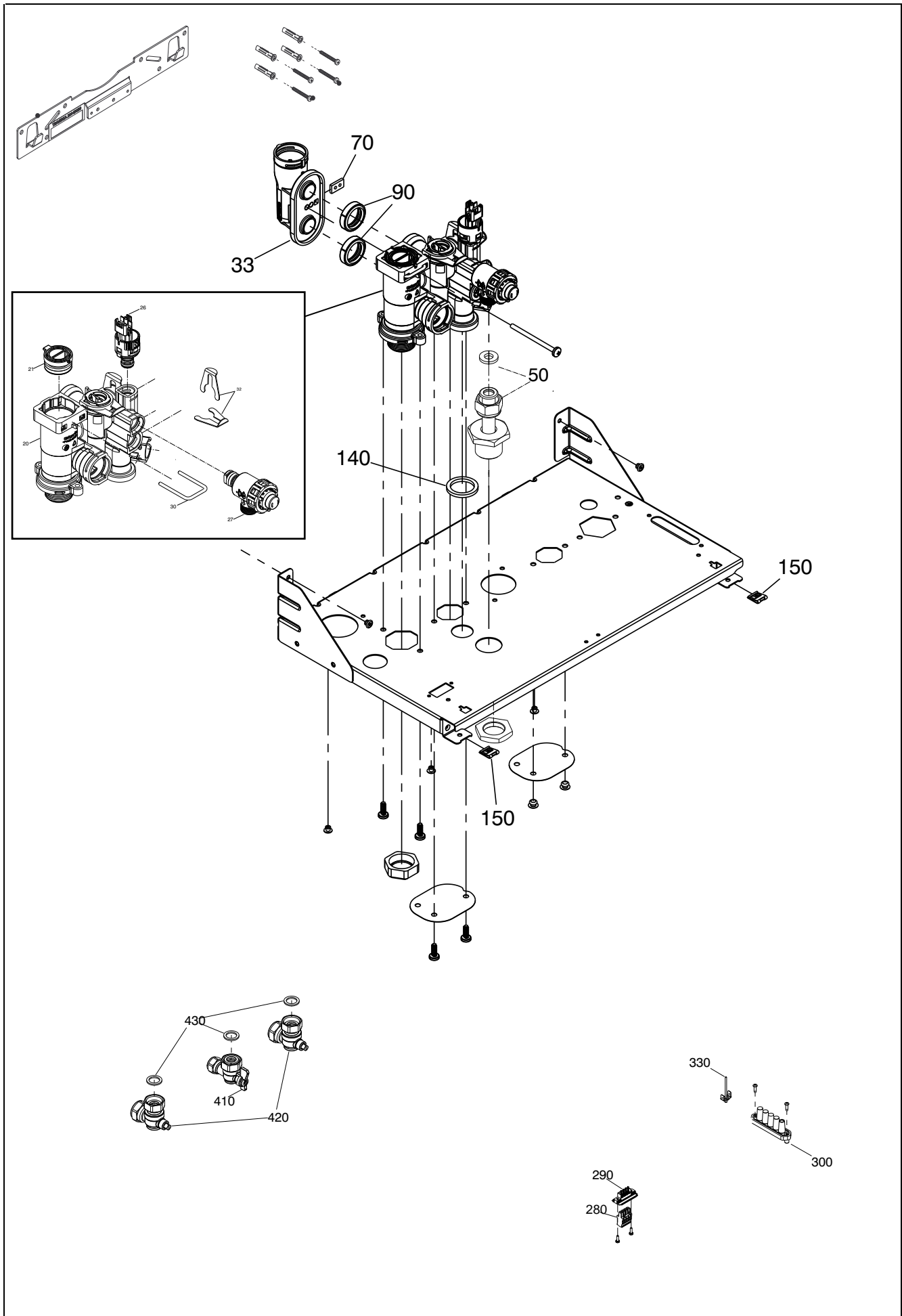
VIBE MAX 20S



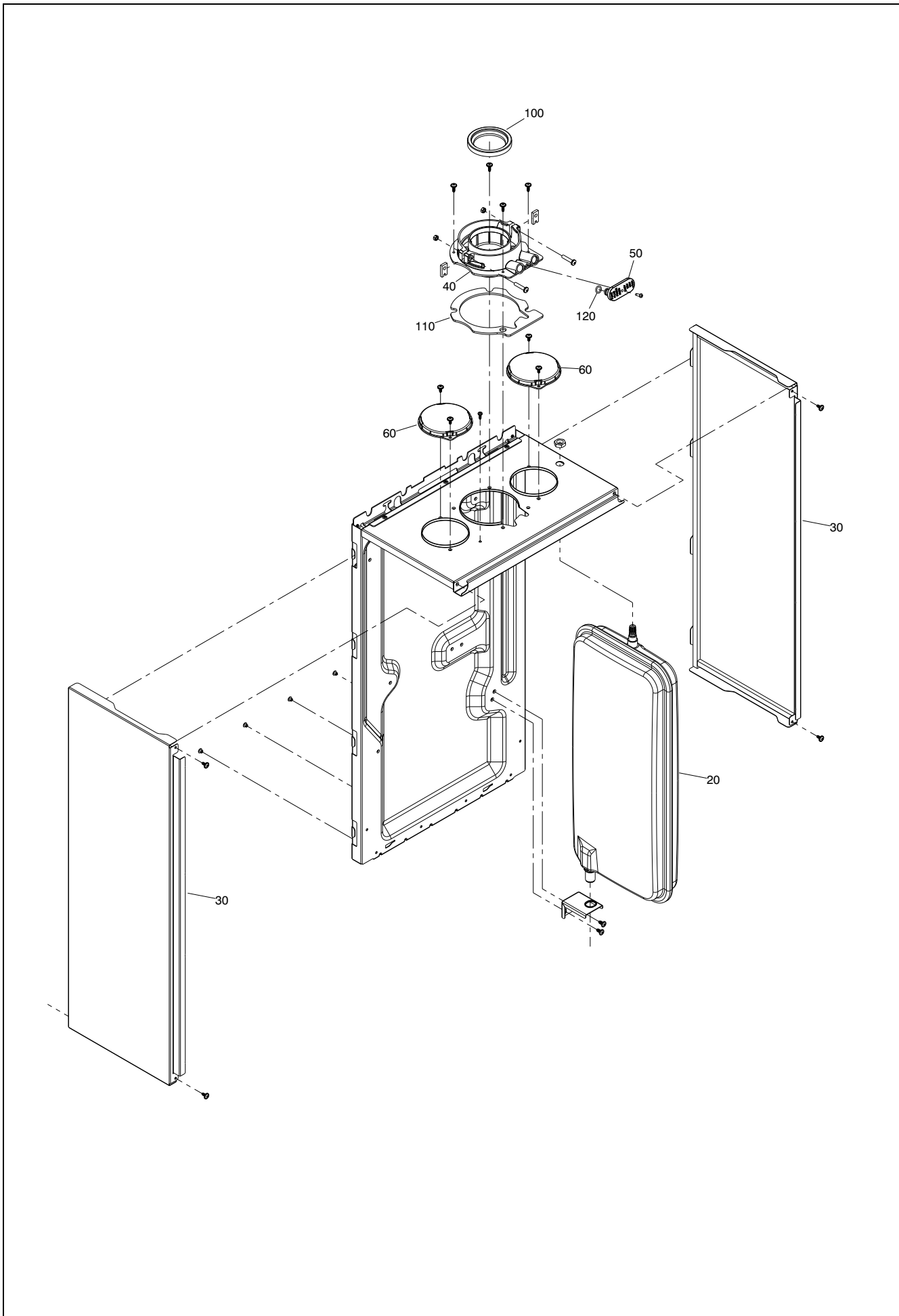
MODEL	PART NUMBER	
	MTN	GPL
Vibe Max 25S	20188722	-



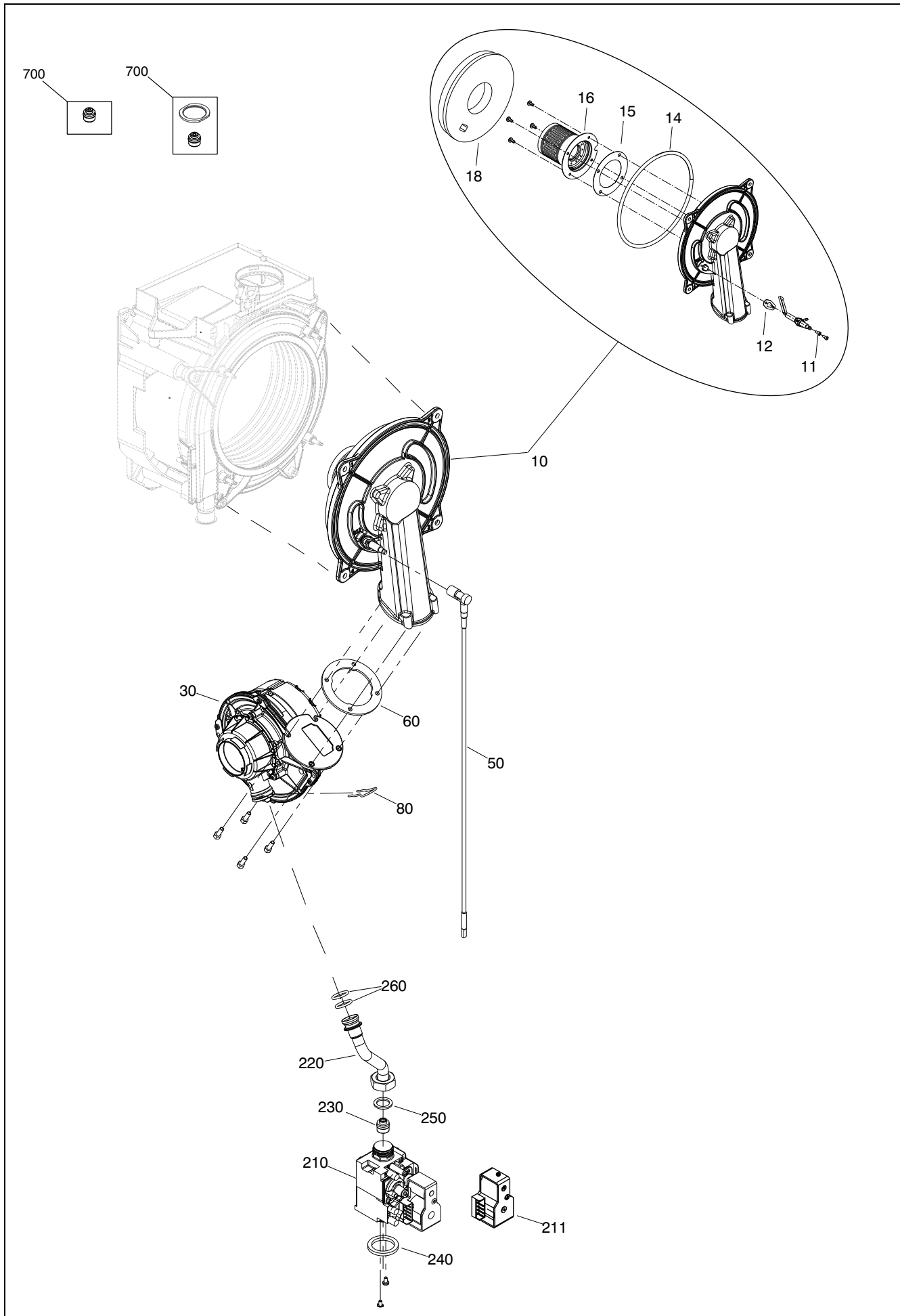
POS.	DESCRIPTION	20S
10	Interface	20194091
20	Control panel	20193324
30	Electric parts cover	20188467
40	Control board	20188484
50	Printed circuit board	20076436
60	Hinge	20193327
80	Washer	20192061
210	Case Assembly	20193822
220	Seal assembly	20193008



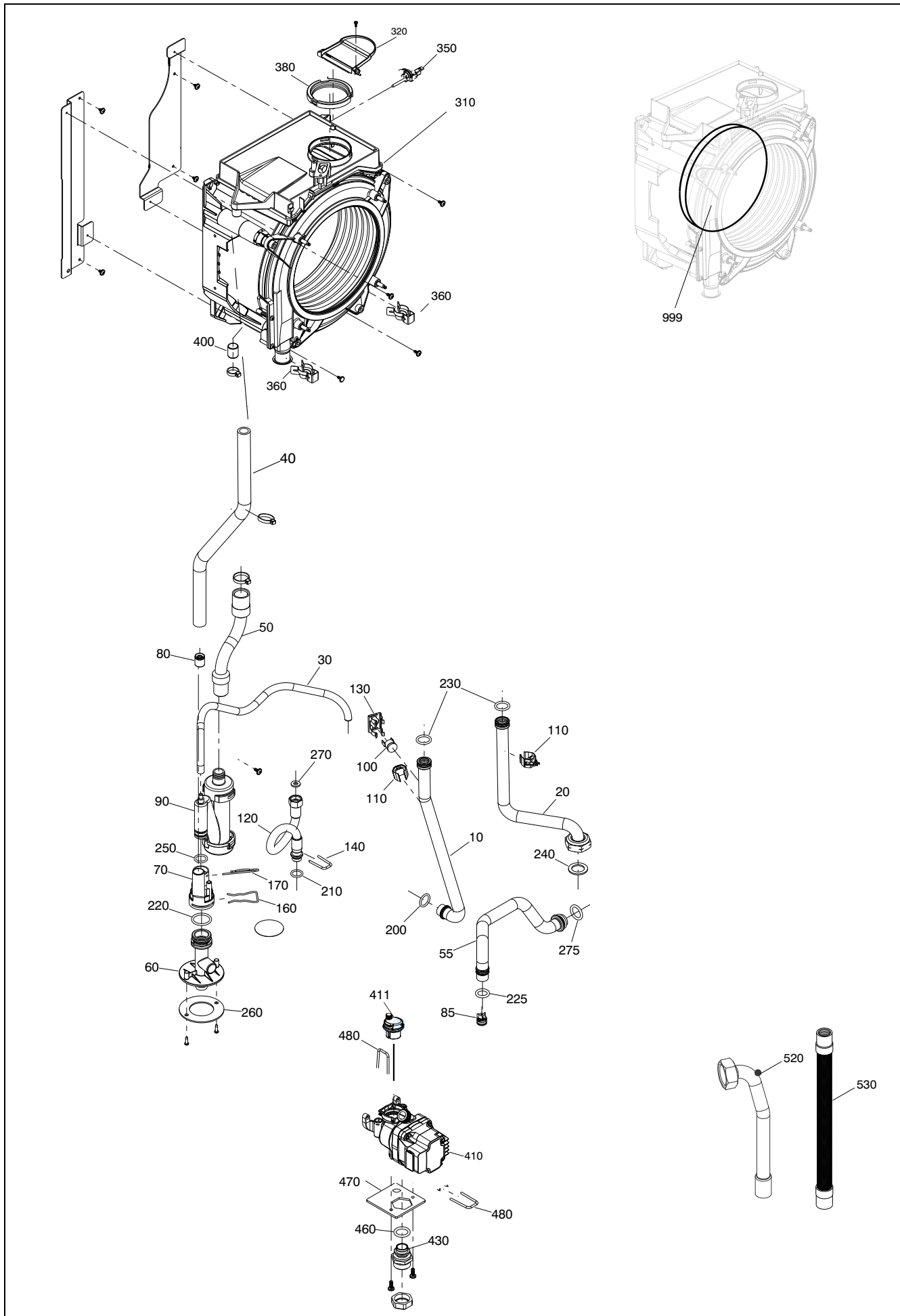
POS.	DESCRIPTION	20S
20	Hydraulic connection	20193766
21	Hole cover	20194516
26	Pressure transductor	20188992
27	Safety valve	20188993
30	Clip	20189051
32	Clip	20189064
33	Connection	20194508
50	Pipe	20200101
60	Clip	20145853
70	Insert	20193350
90	Washer	R10025067
140	Washer	20193339
150	Clip	R5128
280	4-pin connector	20154287
290	4-pin connector	20188746
300	Five positions fairlead	20123125
330	Ground rivet	20154023
410	Heating cock	20132650
420	Heat water cock	20132653
430	Washer	R5023



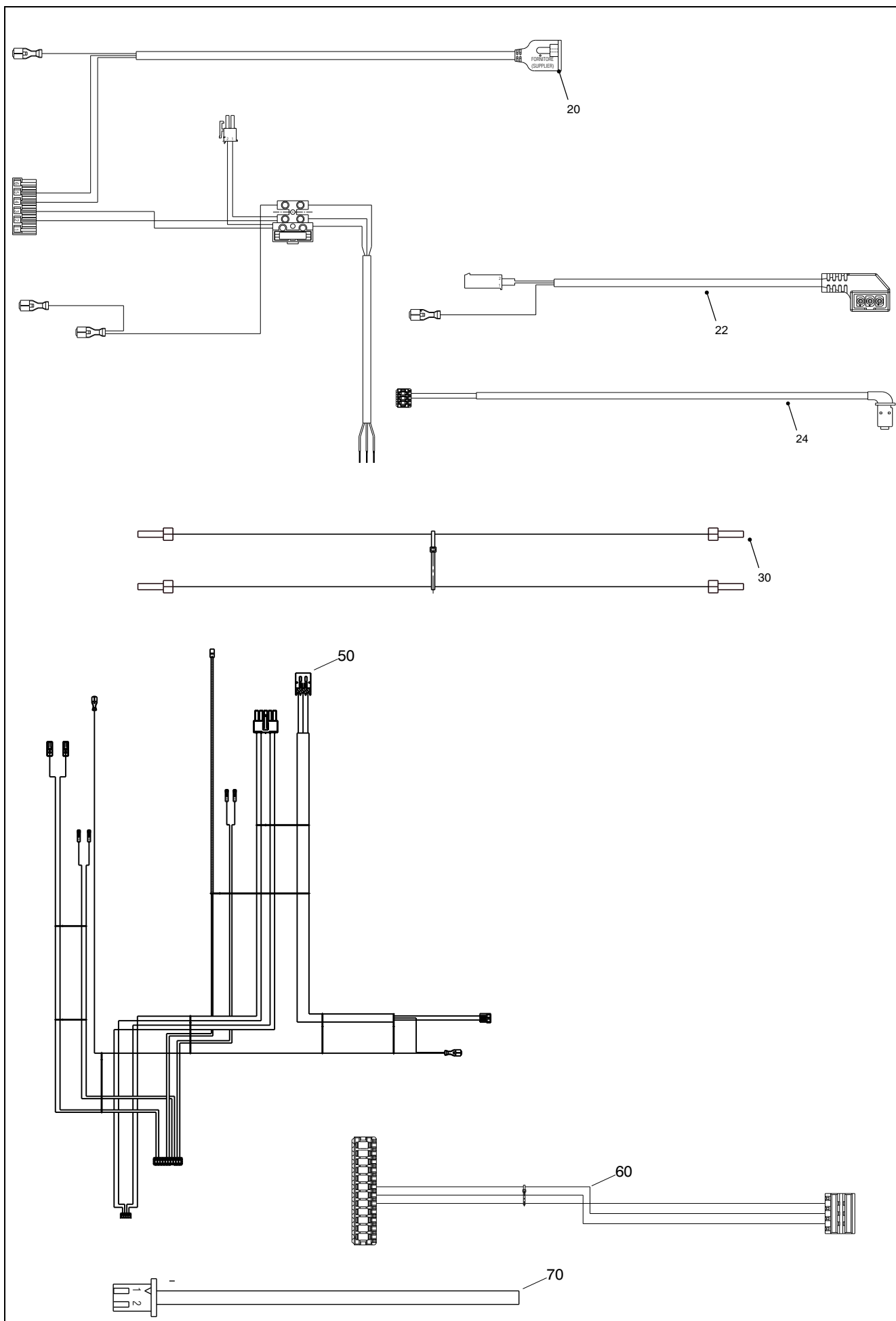
POS.	DESCRIPTION	20S
20	Expansion tank	20193328
30	Panel	20193831
40	Fumes flange	20193009
50	Cap smoke analysis	20089999
60	Hole cover	20005586
100	Gasket fan	20193768
110	Flange gasket	20193329
120	O-ring	R10026494



POS.	DESCRIPTION	20S
10	Conveyor	20188495
11	Ignition electrode	20135946
12	Electrode seal	20157191
14	Burner seal	20188500
15	Burner seal	20188498
16	Premix burner	20188499
18	Insulation panel	20188496
30	Fan (\leq PR05S004143)	20188504
30	Electric fan (\geq PR05S004144)	20201581
50	Spark electrode cable	20193326
60	Washer	R10026796
80	Clip	R10025062
210	Gas valve	20039202
211	Gas valve solenoid	20040675
220	Pipe (\leq PR05S004143)	20193333
220	Pipe (\geq PR05S004144)	20201929
230	gas diaphragm	20085974
240	Gasket	20123159
250	Washer	R5023
260	Washer	20024869
700	LPG conversion kit	20038060
700	Ng conversion kit	20188223
700	LPG conversion kit (\geq PR05S004144)	20085749



POS.	DESCRIPTION	20S
10	Pipe	20193332
20	Pipe	20193331
25	Pipe	20194509
30	Tube kit	20161501
40	Siphon	20188455
50	Non return valve	20188456
55	High head by-pass valve	20196474
60	Condensation outlet (drainage) manifold	20188501
70	Bracket	20188463
80	Silicon pipe	20181028
90	Condensing pipe	20193340
100	High limit thermostat	20005585
110	Temperature detector	20188488
120	Pipe	20188465
130	Clip	R5472
140	Clip	20188462
150	Clip	R10023532
160	O ring	20000131
180	O ring	20182412
185	Washer	20194510
190	O ring	R10026324
200	Clip	R2222
230	O ring	20152424
240	Washer	R9732
250	Washer	R5025
260	O-Ring	20140935
270	Washer	20188453
275	Washer	20188460
310	Condensing exchanger	20193338
320	Rain coat for exchanger	20135930
350	Flue sensor	20135782
360	Spring pipe	20000130
380	Washer Ø 60	R10028426
400	Hole cover	20181027
410	Pump	20199775
411	Degasser	20199776
430	connector	20188459
460	Washer	20188460
470	Washer	20188481
480	Clip	20188603
520	Pipe	20025755
530	Condensation outlet tube	20100816
999	Retarder insulating panel	20159693



POS.	DESCRIPTION	20S
20	Power wiring harness	20199850
22	Pump cable	20182430
24	Wiring harness	20190422
30	Wiring harness	20195464
40	Bus wiring harness	20188471
50	Combustion cable	20188470
60	Low tension cable	20195465
70	Wiring harness	20188472

Rev	Data	Descrizione
1.0	28/12/2021	E00120210519: valvola bypass
2.0	04/05/2022	E00120220051+95 +162: raccordo + rampa+ circolatore + cablaggi
3.0	06/10/2022	E00120220394: circolatore + cablaggi
4.0	28/02/2023	E00120220489: ventilatore e rampa
5.0	30/10/2024	revisione kit trasformazione



Vokera reserve the right to change the specifications without prior notice.
Consumers' statutory rights are not affected.