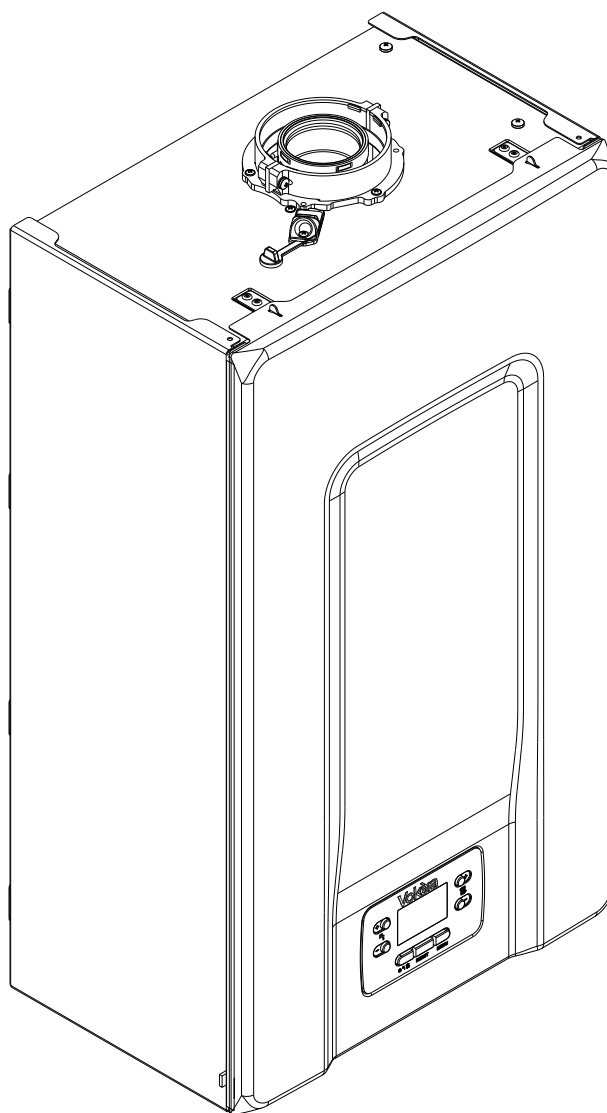
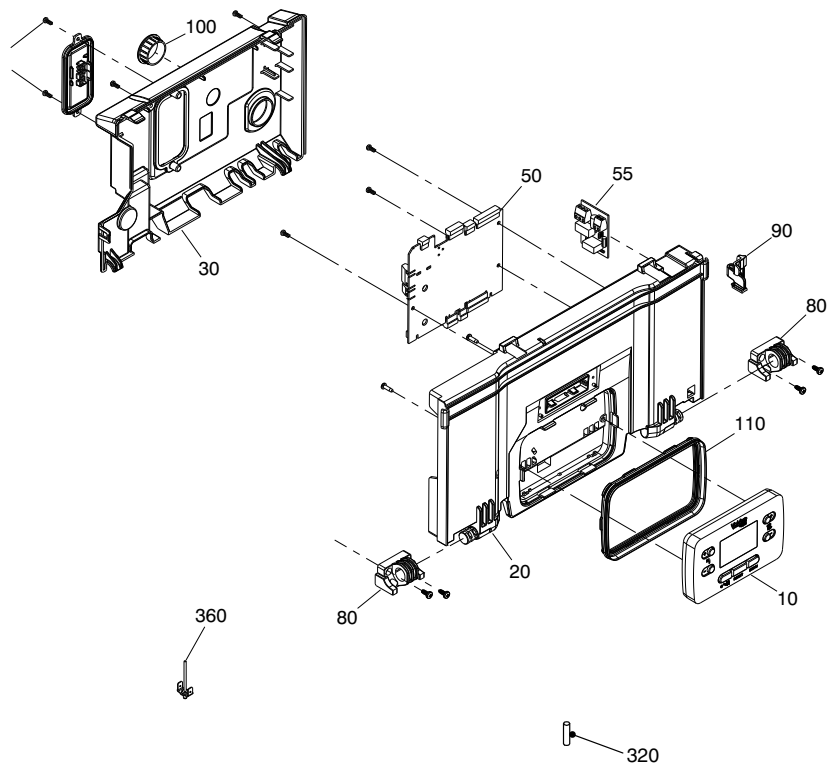
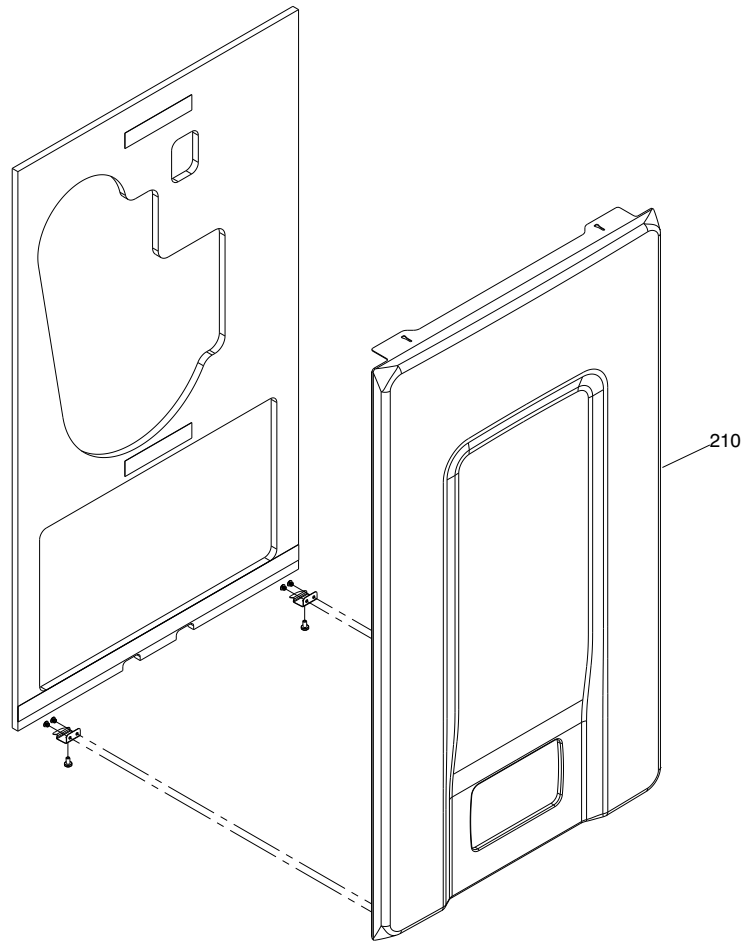


Wall hung boilers

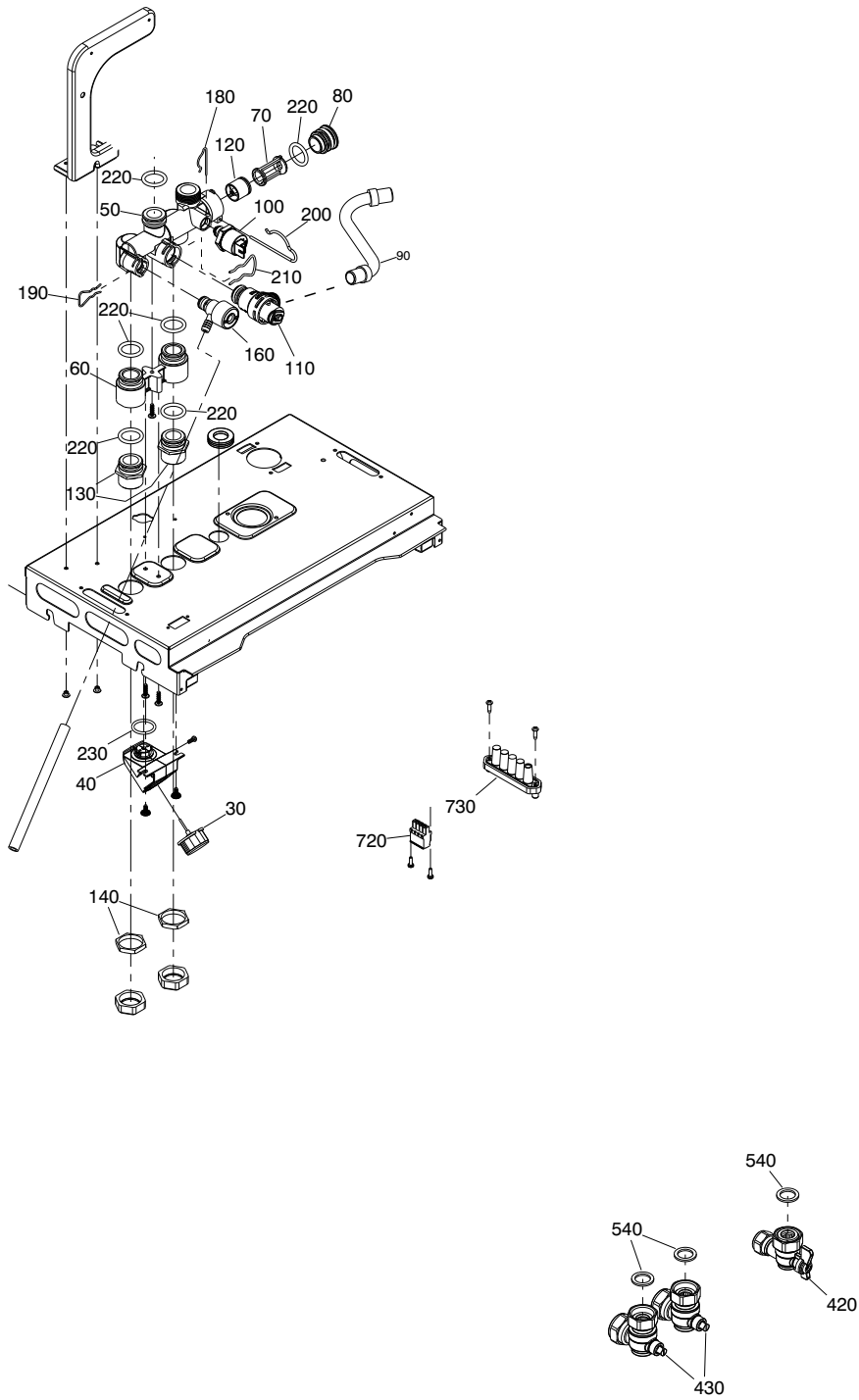
VISION PLUS 25S



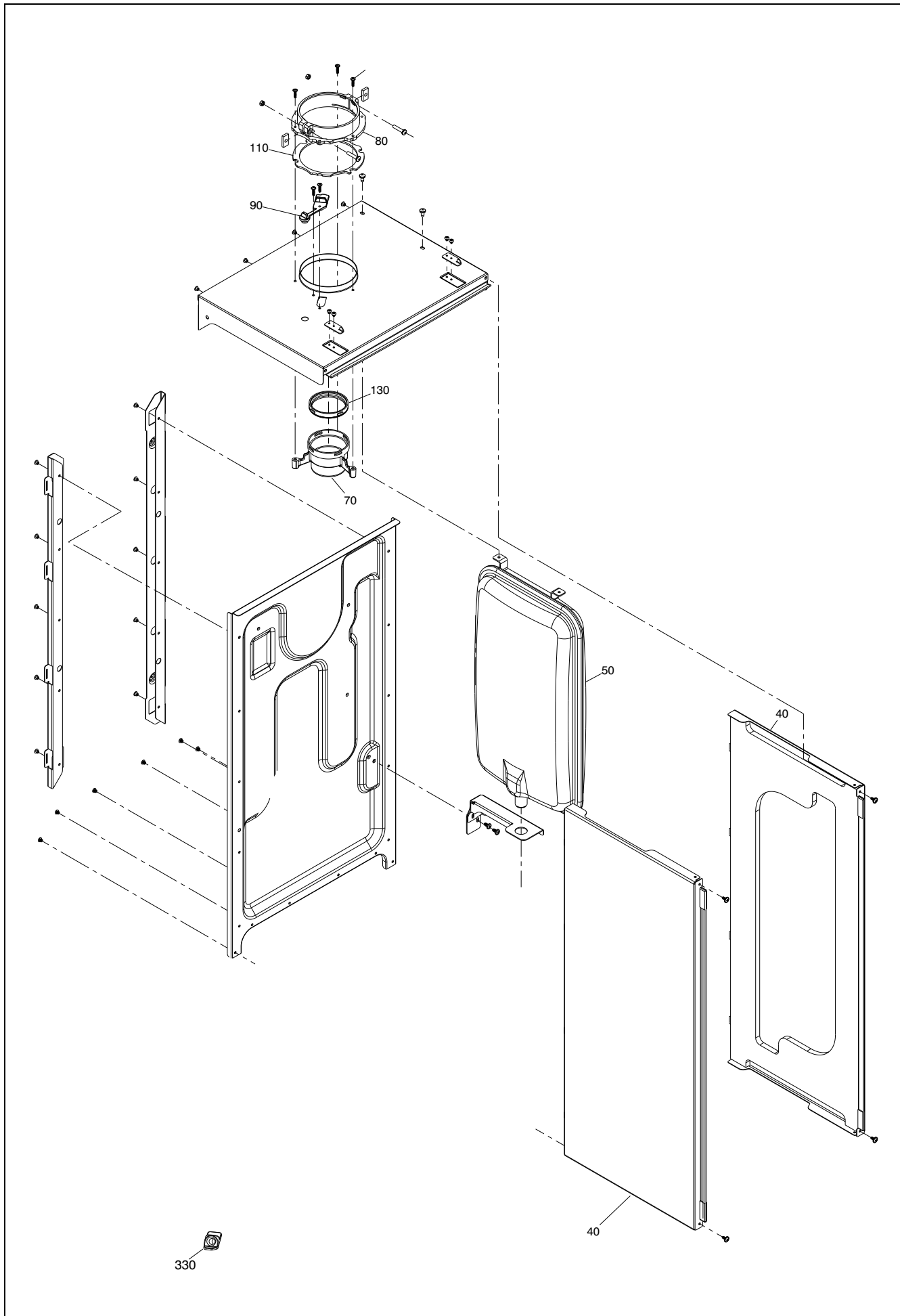
MODEL	PART NUMBER	
	MTN	GPL
Vision Plus 25S	20174728	-



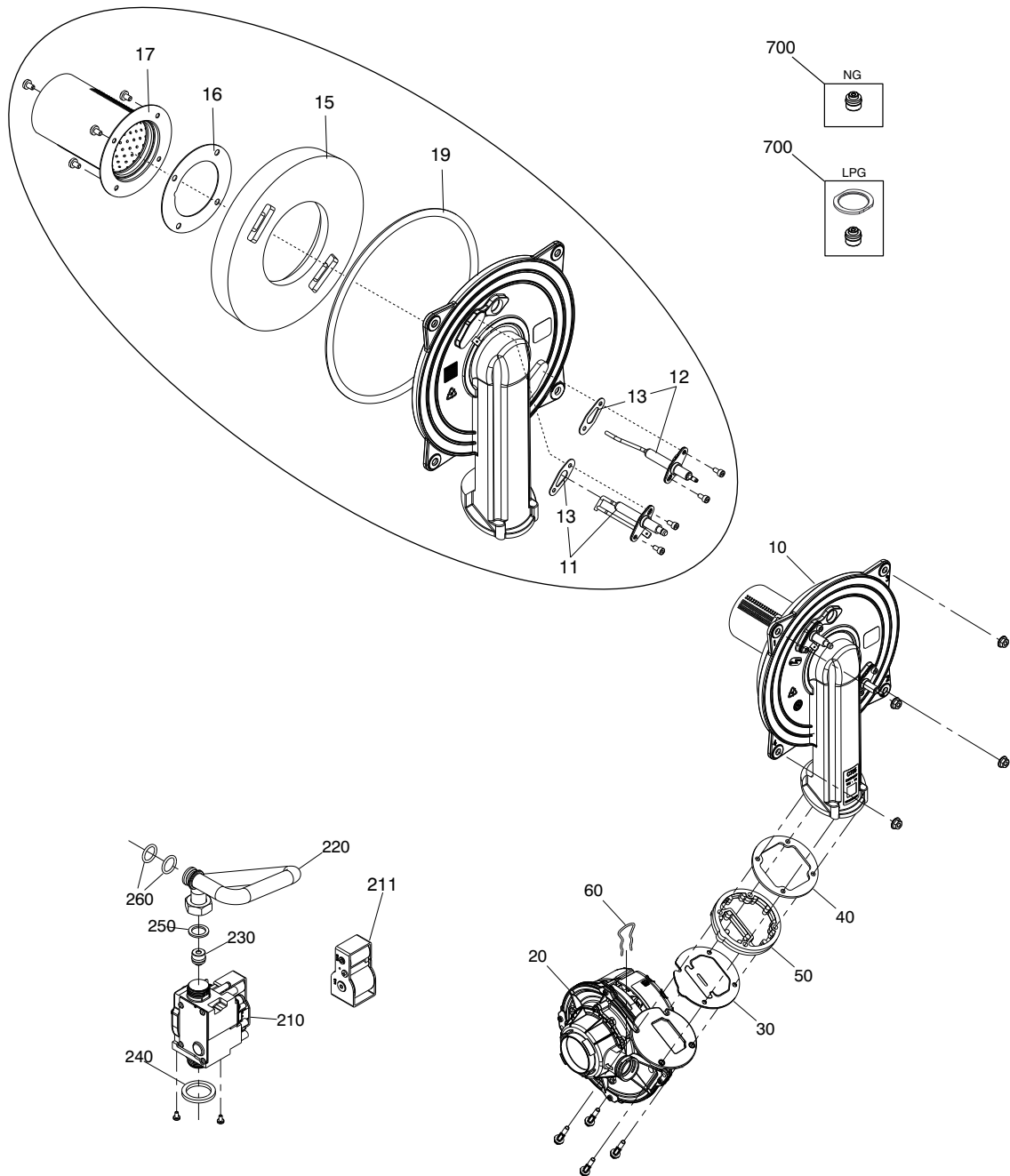
POS.	DESCRIPTION	25S
10	Control panel ($\leq 20174728PR17R004608$)	20181023
10	Control panel ($\geq 20174728PR17R004609$)	20198281
20	Posterior cover instrumental panel	20194432
30	Electric parts cover	20154281
50	Control board	20178237
55	Printed circuit board	20076436
80	Rolling hinge	20123231
90	Instrumental panel fastener	20123230
110	Shaped gasket	20123240
210	Front panel	20178204
320	Fuse	R3478
360	Ground rivet	20154023



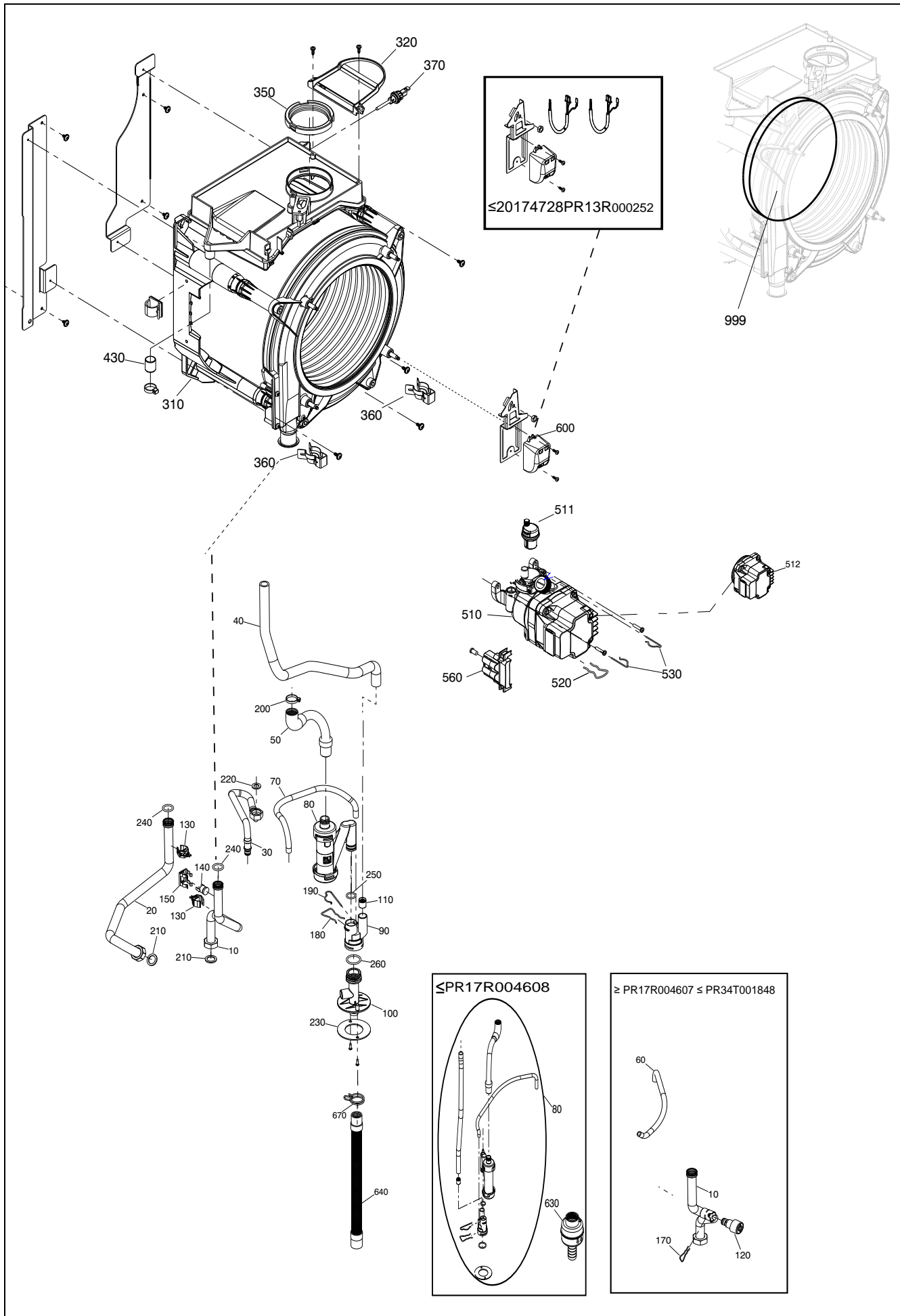
POS.	DESCRIPTION	25S
30	Quick primer pressure gauge	20049617
40	Water gauge carrier	20123121
50	Heating distrib.	20005568
60	Hydraulic connection	20130718
70	by-pass valve support	20068965
80	Automatic by-pass plug	R10024645
90	Flexible pipe	R10027074
100	Pressure transducer	20024559
110	Safety valve	20043820
120	High head by-pass valve	R1552
130	Connection	20014074
140	3/4" locknut	R4026
160	Cock	20000533
180	Clip	R2165
190	Clip	20000539
200	Clip	R2223
210	Clip	R10025062
220	O-ring	R6898
230	O-ring	R10023533
420	Heating cock	20132650
430	Heat water cock	20132653
540	Washer	R5023
720	4-pin connector	20154287
730	Five positions fairlead	20123125



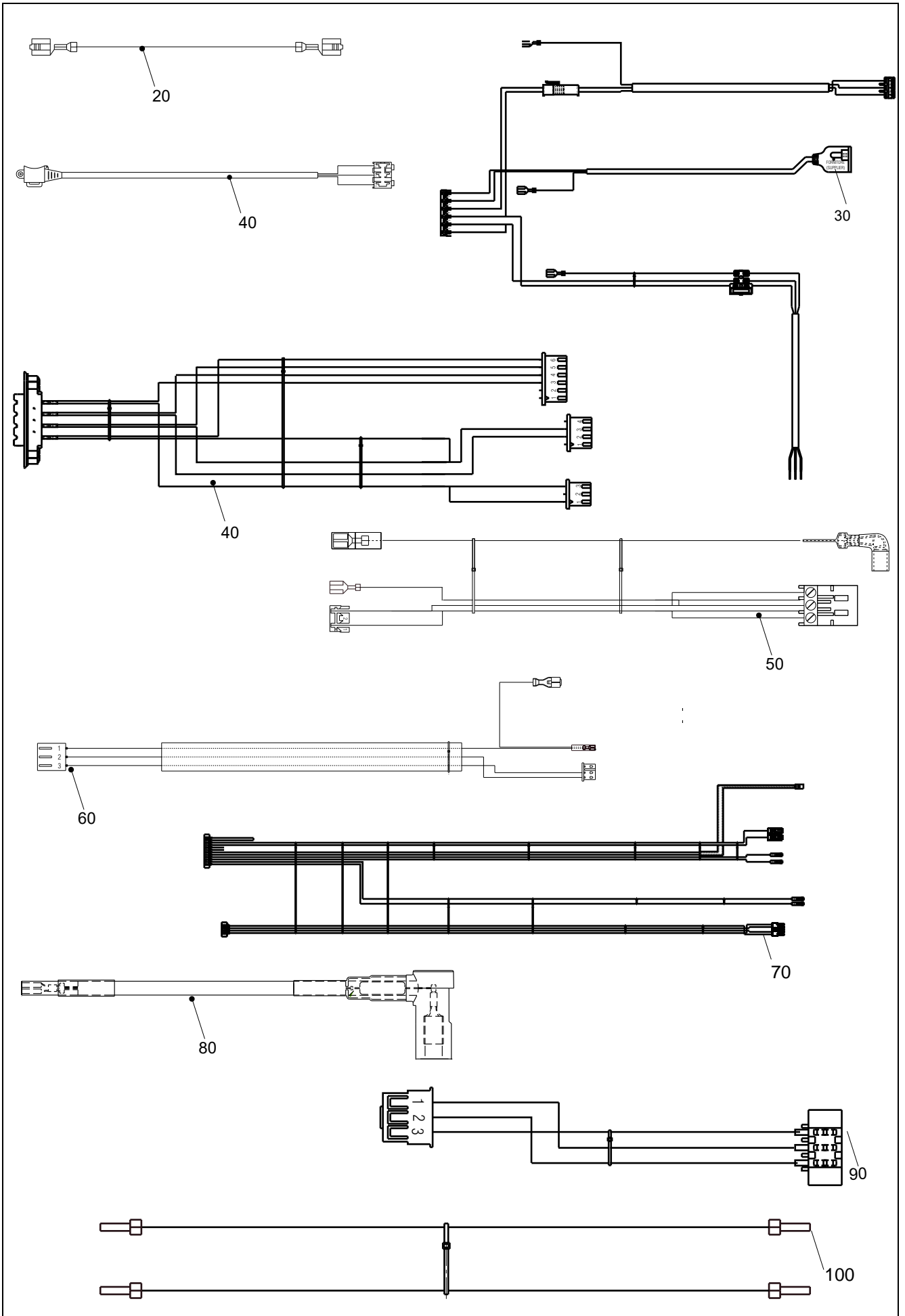
POS.	DESCRIPTION	25S
40	Side panel	20135296
50	9 lt. expansion tank	20135958
70	Flue drain connection	R10028421
80	Fumes flange	20157132
90	Cap smoke analysis	20157134
110	Flange gasket	20157133
130	Washer Ø 60	R10026345
330	Cap smoke analysis	20171129



POS.	DESCRIPTION	25S
10	Air/gas manifold (up to serial n. \leq 20174728PR41P007103)	20136074
10	Air/gas conveyor (from serial n. \geq 20174728PR41P007104)	20177651
11	Ignition electrode	20135946
12	Sensing electrode	20135947
13	Electrode seal	20157191
15	Insulation panel	20177648
16	Seal burner	20135949
17	Premix burner	20136089
19	Washer	20135951
20	Integrated fan	20136075
30	Non return valve	20169395
40	Washer	20135952
50	Spacer	20177790
60	Clip	R10025062
210	Gas valve	20039202
211	Gas valve solenoid	20040675
220	Pipe	20181036
230	gas diaphragm	R10029209
240	Gasket	20123159
250	Washer	R5023
260	Washer	20024869
700	LPG conversion kit	20080711
700	Ng conversion kit	20167315



POS.	DESCRIPTION	25S
10	Pipe (\leq PR34T001848)	20181038
10	Pipe (\geq PR34T001849)	20221153
20	Pipe	20154283
30	Pipe	R10025188
40	Condensing pipe	20191408
50	Pipe	20190420
60	Tube kit (\leq PR34T001848)	20136036
70	Tube kit	20161501
80	Kit siphon + pipe (\leq 20174728PR17R004608)	20191692
80	Kit siphon + pipe (\geq PR17R004608 \leq PR34T001848)	20221118
80	Drainage connector (\geq PR34T001849)	20221147
90	Condensation outlet (drainage) manifold	20190416
100	Bracket	20190417
110	Non return valve	20188456
120	Cock (\leq PR34T001848)	20000533
130	Temperature detector	20188488
140	High limit thermostat	20005585
150	Clip	R5472
170	Clip (\leq PR34T001848)	20000539
180	Clip	R10023532
190	Clip	R2222
210	Washer	R10023699
220	Washer	R5026
230	Washer	20188453
240	O ring	20152424
250	O-Ring	20140935
260	O ring	R10026324
310	Condensing exchanger assembly (up to serial n. \leq 20174728PR41P007103)	20182828
310	Condensing exchanger assembly (from serial n. \geq 20174728PR41P007104)	20177653
320	Rain coat for exchanger	20135930
350	Washer \varnothing 60	R10028426
360	Spring pipe	20000130
370	Flue sensor	20135782
430	Hole cover	20181027
510	Pump 6 mt.	20178238
511	Air vent bottle	20169571
512	Motor	20195456
520	Clip	R10025062
530	Clip	R2165
560	Cover	20180465
600	Ignition transformer (up to serial n. \leq 20174728PR13R000252)	20197827
600	Ignition transformer	20202286
630	Safety float (\leq 20174728PR17R004608)	20127819
640	Condensation outlet tube	20100816
650	Washer	R10023699
670	Hose clamp	20152306
999	Retarder insulating panel	20159693



POS.	DESCRIPTION	25S
20	Wiring harness	20167256
30	Power wiring harness	20181024
40	Bus wiring harness	20202811
50	Fan wiring harness	20167257
60	Flame wiring harness	20197821
70	Wiring harness	20181022
80	Spark electrode cable	20197816
90	pressure transducer wiring	20167261
100	Wiring harness	20181035

Rev	Data	Descrizione
1.0	26/10/2020	E00120200148 - applicata in Rug 07/2020 - adeguato
2.0	30/11/2021	E00120210353 + E00120210445: cruscotto + motore Taco
3.0	05/04/2022	E00120210551: posizione accenditore
4.0	16/05/2022	E00120220040 + e00120220080: modifica sifone + pannello comandi
5.0	01/09/2022	E00120220346: trasformatore
6.0	27/09/2024	E00120230387 : modifica sifone



Vokera reserve the right to change the specifications without prior notice.
Consumers' statutory rights are not affected.